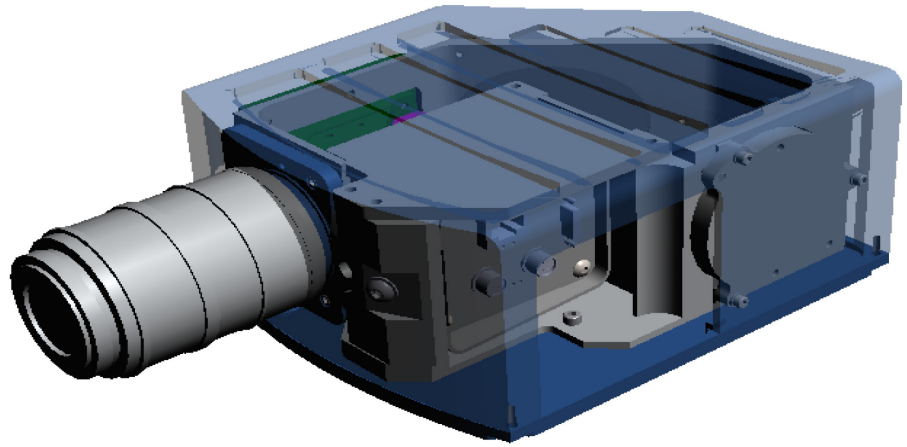


CORNING



Corning® Hyperspectral Imaging Technology

Short-range SWIR hyperspectral system

Overview:

A portable, compact hyperspectral system sensitive in the SWIR spectral range (0.6-1.7 μm). Designed for short range (0.5-10m) spectral detection tasks with high spectral and spatial resolution, and high sensitivity with incorporated high end InGaAs FPAs. Corning integrates a variety of FPAs and objective lenses with the system. A built-in scanner is optional.

Applications:

Used for short range military, homeland security, and commercial applications, such as:

- Remote, covert finger print analysis
- Explosives and IED detection
- Mineral identification
- Industrial process monitoring
- Food and drug safety monitoring
- Medical imaging

Typical Performance:

Design Parameter	Corning Design (With InGaAs detector 12.5 μm x 1280 pixels)
Spatial Pixels	1280
Cross-Track Field-of-View (mrad)	291
Spectral Range (nm)	600-1700
Spectral Channel Spacing (nm)	10
F/#	2.25
IFOV (urad)	227
Focus Range (m)	0.5m to ∞
Scan Rate (mrad/sec)	23
Mass (kg)	1.6
Volume (mm ³)	157 x 126 x 78

CORNING

For more information about Corning's hyperspectral and multi-spectral imaging systems please contact:
Corning Specialty Materials
69 Island Street
Keene, NH 03431
Tel: +1 603 357 7662
E-Mail: hyper@corning.com
www.Corning.com/advanced-optics

© 2014 Corning Incorporated. All Rights Reserved.
Corning is registered trademark of Corning Incorporated, Corning, NY.
Corning Incorporated. One Riverfront Plaza, Corning, NY 14831-0001