

SpectraMux® – Modular CWDM (Four-Channel Mux and DeMux Pair – Low Loss)

CORNING

Features and Benefits

Low Insertion Loss

High Isolation

Tap Monitor Ports

20 nm Channel Separation

Epoxy Free in Optical Path

Standards

RoHS

Free of hazardous substances according to RoHS2011/65/EU

Design and Test Criteria

Product is qualified to Telcordia GR-1209-CORE and GR-1221-CORE

Corning introduces the Spectramux® family of products, which are designed for cost effective multiwavelength network applications. Channel spacing of 20 nm with wide bandpass characteristics allow for non-temperature controlled lasers to be used in transmitters. Based on Corning's proven thin film technology, SpectraMux CWDMs allow for four and eight wavelengths to be used for uni- or bi-directional transmission. Like all Corning DWDM products, these devices are designed for long life service under the most demanding field conditions.



SpectraMux® – Modular CWDM (Four-Channel Mux and DeMux Pair – Low Loss)



Specifications

Parameters (Four-Channel)	Minimum	Typical	Maximum
Center Wavelength λ_c		1 for 1471, 1491, 1511, 1531 nm \pm 20 nm 5 for 1551, 1571, 1591, 1611 nm \pm 20 nm	
Pass Channel Insertion Loss*			1.8 dB
Insertion Loss Non-Uniformity*			1.0 dB
Insertion Loss-Express Channel*			2.1 dB
Insertion Loss-Tap Ports*	17 dB		23 dB
Passband Width	12 nm		
Adjacent Channel Isolation	30 dB		
Return Loss	45 dB		
Directivity	50 dB		
PDL			0.2 db
PMD			0.2 ps
Maximum Optical Power		300 mW	
Operating Temperature Range		-5°C to +65°C	
Storage Temperature Range		-40°C to +85°C	

*Specification includes coupler loss and connector loss

Shipping Package	
Packaging Dimensions	Fiber Type
Half Width Rack Mount (Standard 19 inch Rack Mount accommodates two Half-Width Rack Mounts)	Fiber Type: Corning® SMF-28e® or compatible, 900 μ m

Ordering Information

Spectramux® – Modular CWDM (Four-Channel Mux and DeMux Pair – Low loss)

C W 4 - 0 1 8 4 - L 1 0 0 0

- 1 Select Wavelength Options
1 or 5
(See specification for wavelength options)

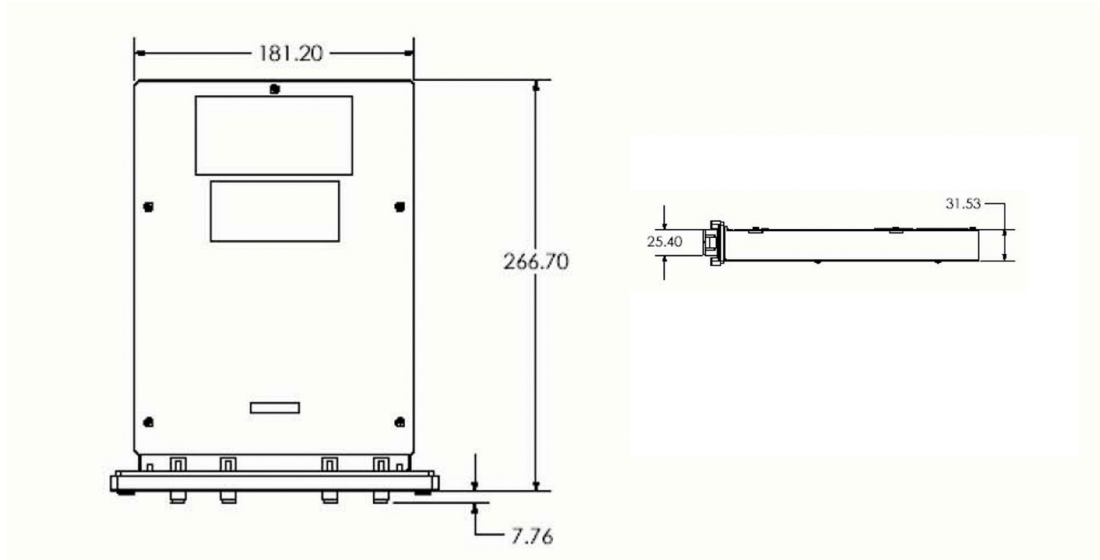


These part numbers are specific to Corning Optical Communications OEM Solutions Business Unit. Please contact OEM sales at +1-408-736-6900 or oemsales@corning.com and visit www.corning.com/opcomm/oem for sales support.

SpectraMux® – Modular CWDM (Four-Channel Mux and DeMux Pair – Low Loss)



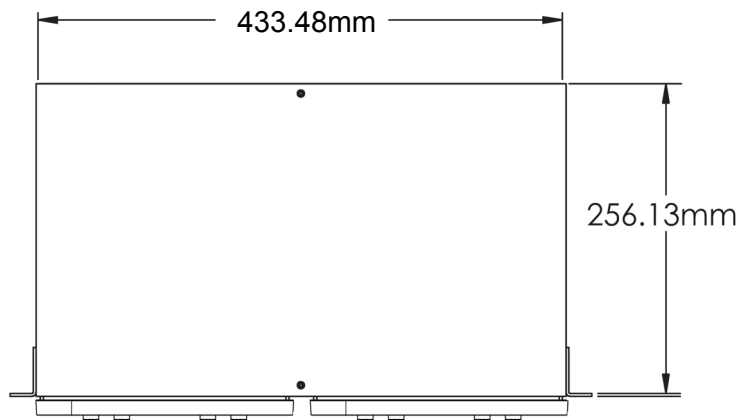
Mechanical Drawing of Half-Width Rack Mount



Front Panel Layout



Mechanical Drawing of 19-in Rack Mount



Note: 19-in rack chassis is sold separately under P/N: CW4-RACK-19000.



Corning Optical Communications LLC • PO Box 489 • Hickory, NC 28603-0489 USA
 800-743-2675 • FAX: 828-325-5060 • International: +1-408-736-6900 • www.corning.com/opcomm/oem • Email: oemsales@corning.com
 Corning Optical Communications reserves the right to improve, enhance, and modify the features and specifications of Corning Optical Communications products without prior notification. A complete listing of the trademarks of Corning Optical Communications is available at www.corning.com/opcomm/trademarks. All other trademarks are the properties of their respective owners. Corning Optical Communications is ISO 9001 certified.
 © 2016 Corning Optical Communications. All rights reserved.

