

# SpectraMux<sup>®</sup> – Modular CWDM (Single-Channel OADM – Low Loss)

CORNING

## Features and Benefits

Low Insertion Loss

High Isolation

Tap Monitor Ports

20 nm Channel Separation

Epoxy Free in Optical Path

Corning introduces the Spectramux<sup>®</sup> family of products, which are designed for cost effective multiwavelength network applications. Channel spacing of 20 nm with wide bandpass characteristics allow for non-temperature controlled lasers to be used in transmitters. Based on Corning's proven thin film technology, SpectraMux CWDMs allow for four and eight wavelengths to be used for uni- or bi-directional transmission. Like all Corning DWDM products, these devices are designed for long life service under the most demanding field conditions.

## Standards

RoHS	Free of hazardous substances according to RoHS2011/65/EU
Design and Test Criteria	Product is qualified to Telcordia GR-1209-CORE and GR-1221-CORE



# SpectraMux® – Modular CWDM (Single-Channel OADM – Low Loss)

CORNING

## Specifications

Parameters (Four-Channel)	Minimum	Typical	Maximum
Center Wavelength $\lambda_c$	"CH1"=1471, "CH2"=1491, "CH3"=1511, "CH4"=1531 nm± 20 nm "CH5"=1551, "CH6"=1571, "CH7"=1591, "CH8"=1611 nm± 20 nm		
Insertion Loss - Add or Drop Channel*			1.5 dB
Insertion Loss- Express Channel*			1.7 dB
Insertion Loss- Tap Ports*	17 nm		23 dB
Passband Width	12 nm		
Isolation- Add or Drop Channel	30 dB		
Isolation - Express Channel	30 dB		
Return Loss	45 dB		
Directivity	50 dB		
PDL			0.2 db
PMD			0.2 ps
Maximum Optical Power		300 mW	
Operating Temperature Range		-5°C to +65°C	
Storage Temperature Range		-40°C to +85°C	

\*Specification includes coupler loss and connector loss

## Shipping Package

Packaging Dimensions	Fiber Type
Half Width Rack Mount (Standard 19-in Rack Mount accommodates two Half-Width Rack Mounts)	Fiber Type: Corning® SMF-28e® or compatible, 900 $\mu$ m

## Ordering Information

Spectramux® – Modular CWDM (Single-Channel OADM – Low Loss)

C W 4 - 0 0 8 4 - L 1 0 0 0

- 1** Select Wavelength Options  
0, 1, 2, 3, 4, 5, 6, 7, or 8  
(See specification for wavelength options)



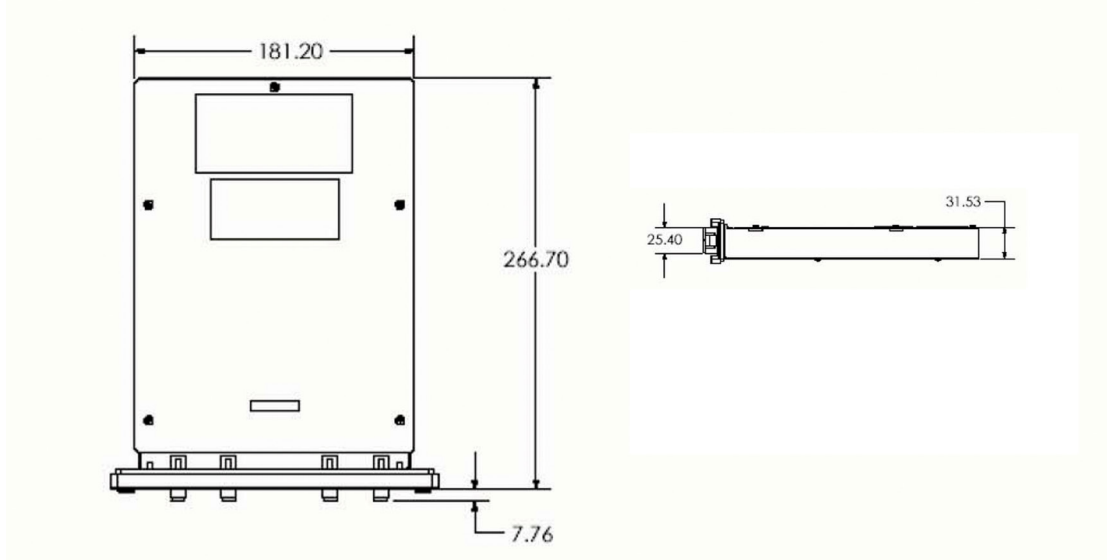
**These part numbers are specific to Corning Optical Communications OEM Solutions Business Unit. Please contact OEM sales at +1-408-736-6900 or [oemsales@corning.com](mailto:oemsales@corning.com) and visit [www.corning.com/opcomm/oem](http://www.corning.com/opcomm/oem) for sales support.**



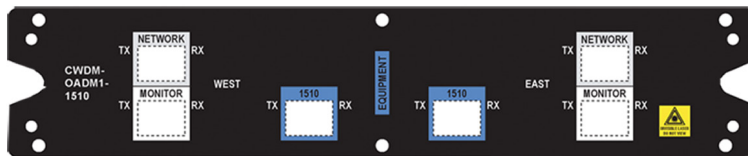
# SpectraMux® – Modular CWDM (Single-Channel OADM – Low Loss)



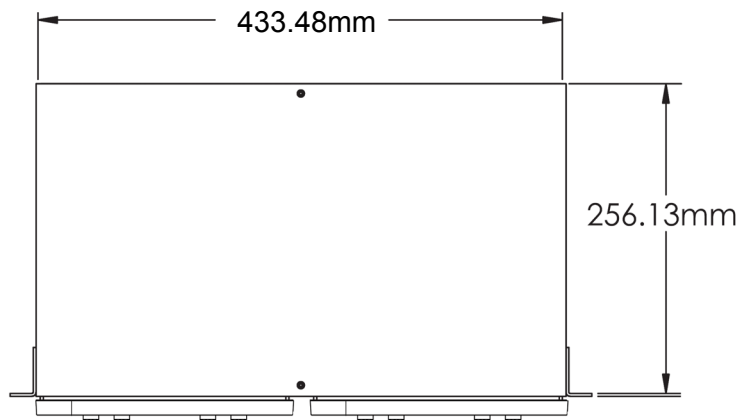
## Mechanical Drawing of Half-Width Rack Mount



## Front Panel Layout



## Mechanical Drawing of 19-in Rack Mount



Note: 19-in rack chassis is sold separately under P/N: CW4-RACK-19000.



Corning Optical Communications LLC • PO Box 489 • Hickory, NC 28603-0489 USA  
 800-743-2675 • FAX: 828-325-5060 • International: +1-408-736-6900 • [www.corning.com/opcomm/oem](http://www.corning.com/opcomm/oem) • Email: [oemsales@corning.com](mailto:oemsales@corning.com)  
 Corning Optical Communications reserves the right to improve, enhance, and modify the features and specifications of Corning Optical Communications products without prior notification. A complete listing of the trademarks of Corning Optical Communications is available at [www.corning.com/opcomm/trademarks](http://www.corning.com/opcomm/trademarks). All other trademarks are the properties of their respective owners. Corning Optical Communications is ISO 9001 certified.  
 © 2016 Corning Optical Communications. All rights reserved.

