

Splice Closure Fiber (SCF)

Extreme-Density Closure, 8 x 28, open ribbon system
Heat Shrink end (maximum 1728 fibers)



Features and Benefits

Modular fiber management system

Preserve the ease of traditional (flat) ribbon splicing while gaining simplified ribbon fiber routing; increased splicing capability in the field, delivered in a compact size

Aerial, wall, pole, direct-buried

Suitable for all applications

Ribbon splicing

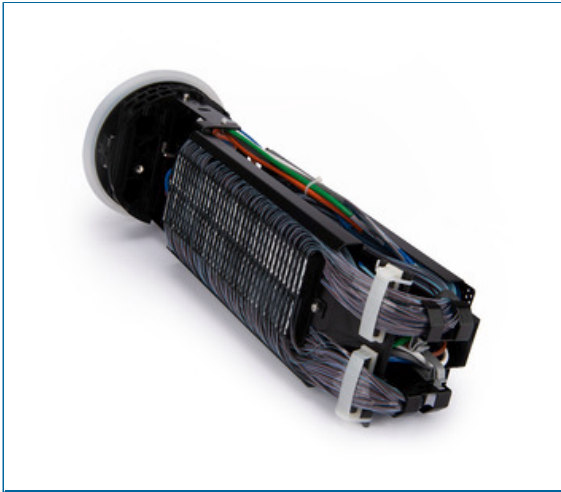
No splice trays required

Heat-shrink end caps

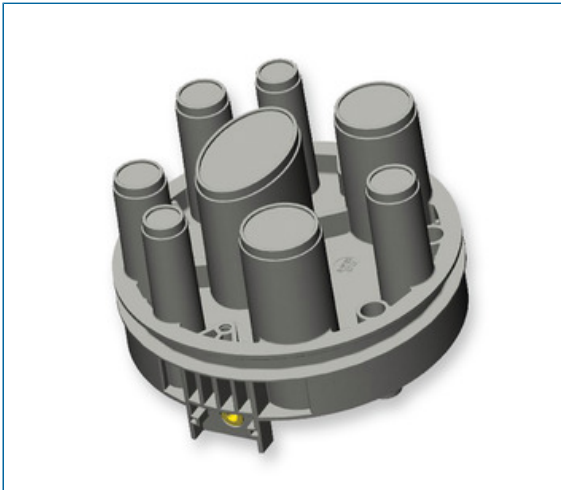
Easy installation of uncut cables

Sealed butt-style closure

Environmental protection



Part Number: SCF-8C28-HS-YORS



Part Number: SCF-8C28-HS-YORS

Specifications

Design

Splitter support

No

Splice Closure Fiber (SCF)

Extreme-Density Closure, 8 x 28, open ribbon system
Heat Shrink end (maximum 1728 fibers)

CORNING

Design

Bulletproof housing	No
Central member fixing for main cable	Yes
Closure Shape	Dome
Colored trays	No
Crimp splice protector support	No
Customer logo on housing	To be ordered separately
Distribution cable port count	6
Extra buffer storage system	Installed
Heat shrink splice protector support	Yes
Main cable circular port count	7
Main cable oval port count	1
Maximum splice fiber capacity	1728 splices
Number of Distribution/Drop Cables ports	7
Sealing Type	Mechanical
Size by Fiber Splice Capacity	1728
Splitter Module	No splitter
System	ORS
Test valve	Included
Working environment	Manhole / Underground to

Shipping Dimensions

Height	1041.4
Width	254
Depth	254

Ordering Information

Language installation instruction	English (US)
Units per Delivery	1/1

Standards

Design and Test Criteria	Telcordia GR-771 tested
--------------------------	-------------------------

Splice Closure Fiber (SCF)

Extreme-Density Closure, 8 x 28, open ribbon system
Heat Shrink end (maximum 1728 fibers)



General Specifications

Product Type	FOH Closures
--------------	--------------

Ordering Information

Part Number	SCF-8C28-HS-YORS
Product Description O	The Closures feature a unique trayless design and are available with heat-shrink or split mechanical end caps. Corning splice closures are designed for splicing fibers in aerial or buried applications. These sealed canister closures are available in configurations that can accommodate 1296 to 1728 fibers when splicing ribbon fibers. Allowing reel-end to reel-end splicing in the open ribbon system (ORS), the heat-shrink end cap is a simple and reliable solution that covers a wide range of cable diameters. The SCF 8-inch, heat-shrink end caps includes one oval port, two large round drop ports that can accommodate one large cable or two small cables with branching clamp, three medium round drop ports, and two small drop ports.