

CORNING

Evolv™ Port Cleaner (with Pushlok™ technology)

P/N 009-237-AEN, Issue 2

related literature | Search www.corning.com/opcomm. Click on "Resources/Standard Recommended Procedures."

009-235-AEN Evolv™ Terminals with Pushlok™ Technology

009-236-AEN Evolv™ Drop Assemblies with Pushlok™ Technology

1. General

This procedure describes a general method for using the Evolv™ Port Cleaner (with Pushlok™ technology). (p/n CLEANER-PUSHLOK.)

Figure 1 provides a pictorial description of the components of the port cleaner and interchangeable tips.

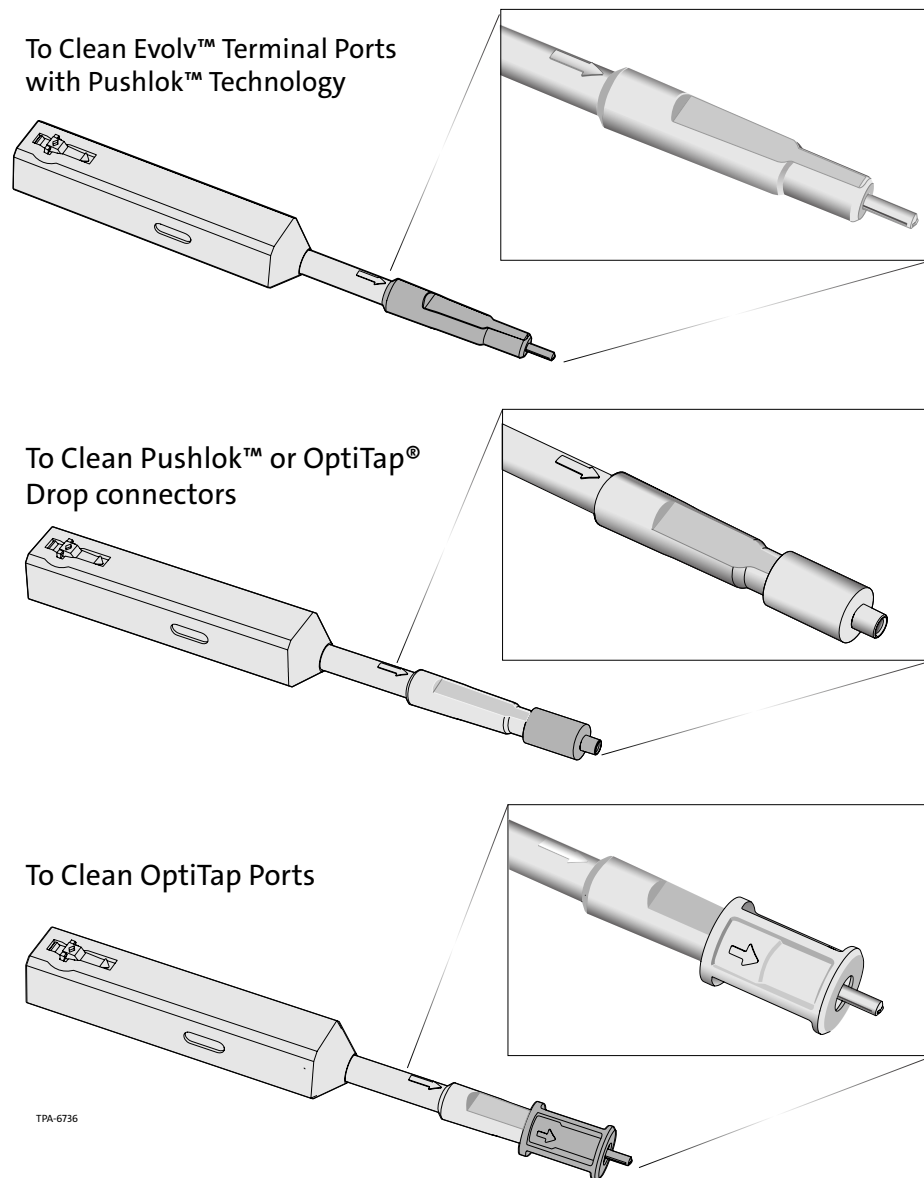


Figure 1

2. Precautions

2.1 Laser Precautions

	WARNING: Never look directly into the end of a fiber that may be carrying laser light. Laser light can be invisible and can damage your eyes. Viewing it directly does not cause pain. The iris of the eye will not close involuntarily as when viewing a bright light. Consequently, serious damage to the retina of the eye is possible. Should accidental eye exposure to laser light be suspected, arrange for an eye examination immediately.
--	---

2.2 Cable Handling Precautions

NOTE: Fiber optic cable is sensitive to excessive pulling, bending, and crushing forces. Consult the cable specification sheet for the cable you are installing. Do not bend the cable more sharply than the minimum recommended bend radius. Do not apply more pulling force to the cable than specified. Do not crush the cable or allow it to kink. Doing so may cause damage that can alter the transmission characteristics of the cable; the cable may have to be replaced.

2.3 Drop Assembly with Pushlok™ Technology Handling Precautions

	CAUTION: Always keep dust caps installed on PushLok assemblies when they are not in use. Dust and other contaminants on connector end-faces can degrade system performance.
--	--

2.4 Chemical Precautions

When using chemicals, refer to the container or the provided MSDS sheets for precautions specific to each chemical.

3. Pushlok™ or OptiTap® Connector Cleaning

Step 1: If not already installed, place the small round adapter on the end of the tool (Figure 2). Note the slot on top of the adapter.

Step 2: Remove the dust cap from the Pushlok/OptiTap connector assembly (Figure 3).

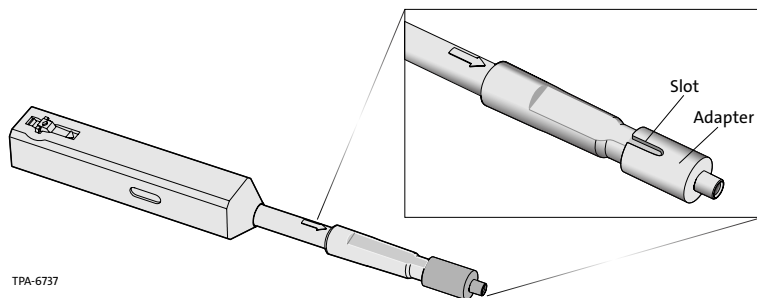


Figure 2

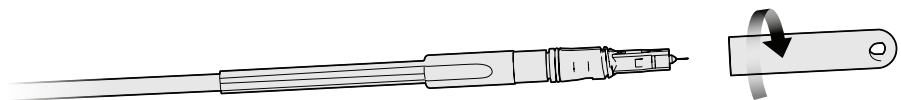


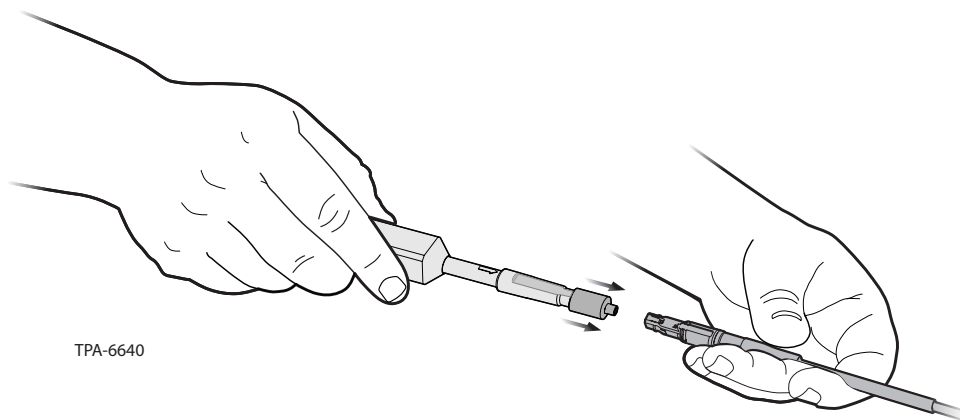
Figure 3

Step 3: To clean the connector's end-face:



CAUTION: Do not use excessive force during insertion as this may cause damage to both the connector and the tool.

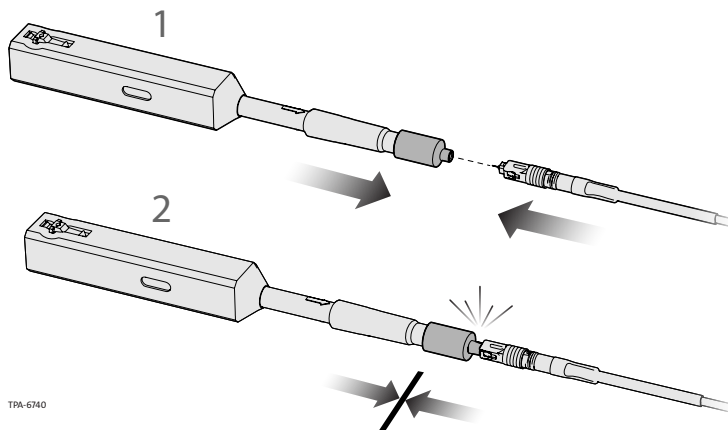
a) Carefully insert the connector ferrule into the adapter of the tool until the tool butts against the end of the connector (Figure 5).



TPA-6640

Figure 5

b) Push the cleaning tool and connector together until an audible “CLICK” is heard (Figure 6).



TPA-6740

Figure 6

NOTE: Do not tilt, angle, or slant the cleaner while inserting the tip into the adapter. Do not use excessive force during insertion as this may damage the connector and /or cleaner. If resistance is experienced while pushing the cleaner body toward the connector, remove the connector from the guide cap and inspect for contamination on the connector or in the cap.

c) The cleaning process is now complete. Remove the tool from the connector. Reinstall the dust cap until you are ready to mate the connector to a terminal assembly.

4. Evolv™ Terminal with Pushlok™ Technology Port Cleaning

Step 1: If an adapter is already installed, remove it as shown in Figure 7

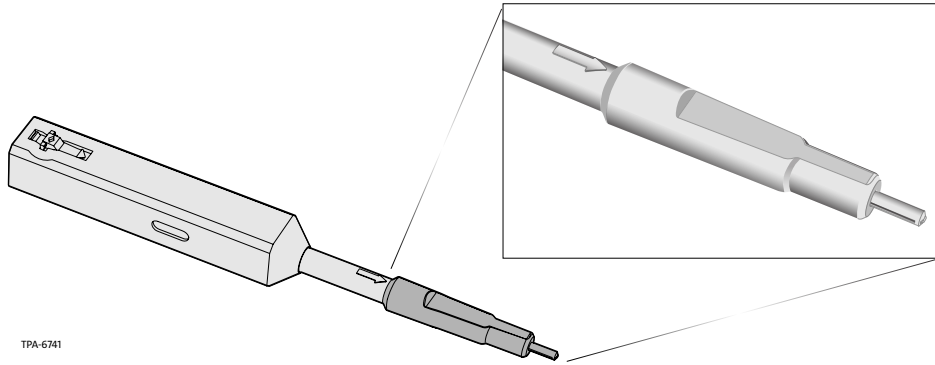


Figure 7

Step 2: Remove the protective plug from the port, where the connector will be mated (Figure 8).

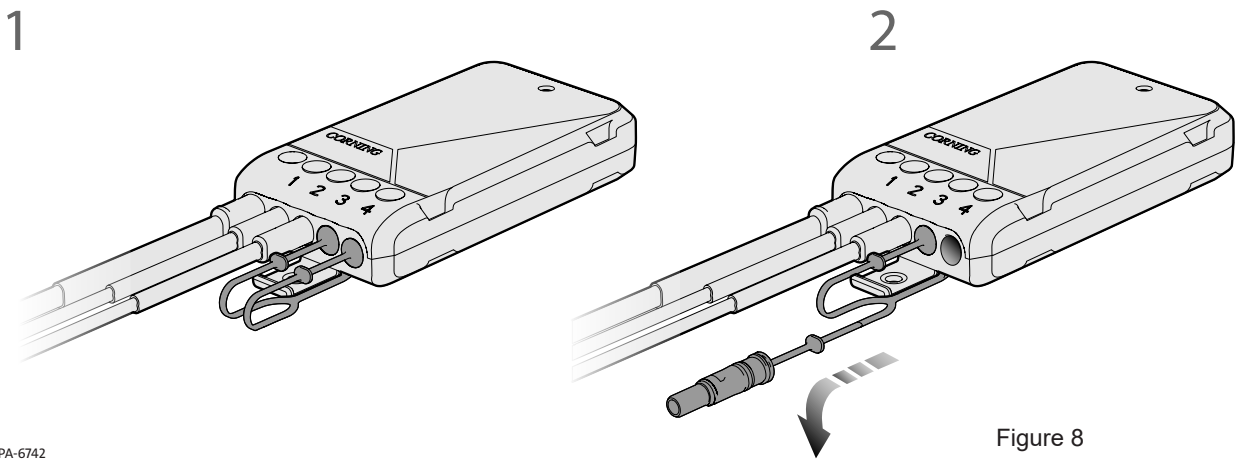


Figure 8

Step 3: Insert the cleaning tool into the terminal port, until the tool bottoms out and an audible “CLICK” is heard (Figure 9).

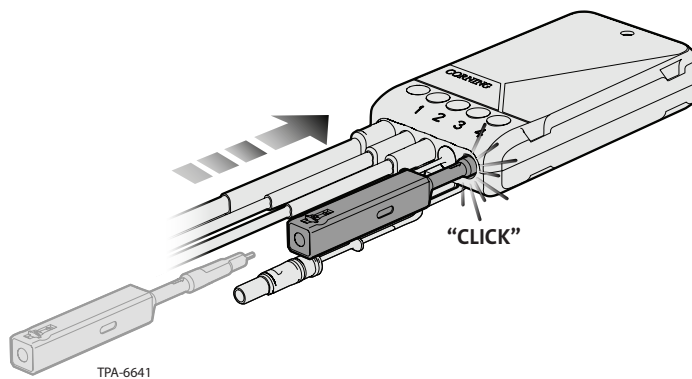


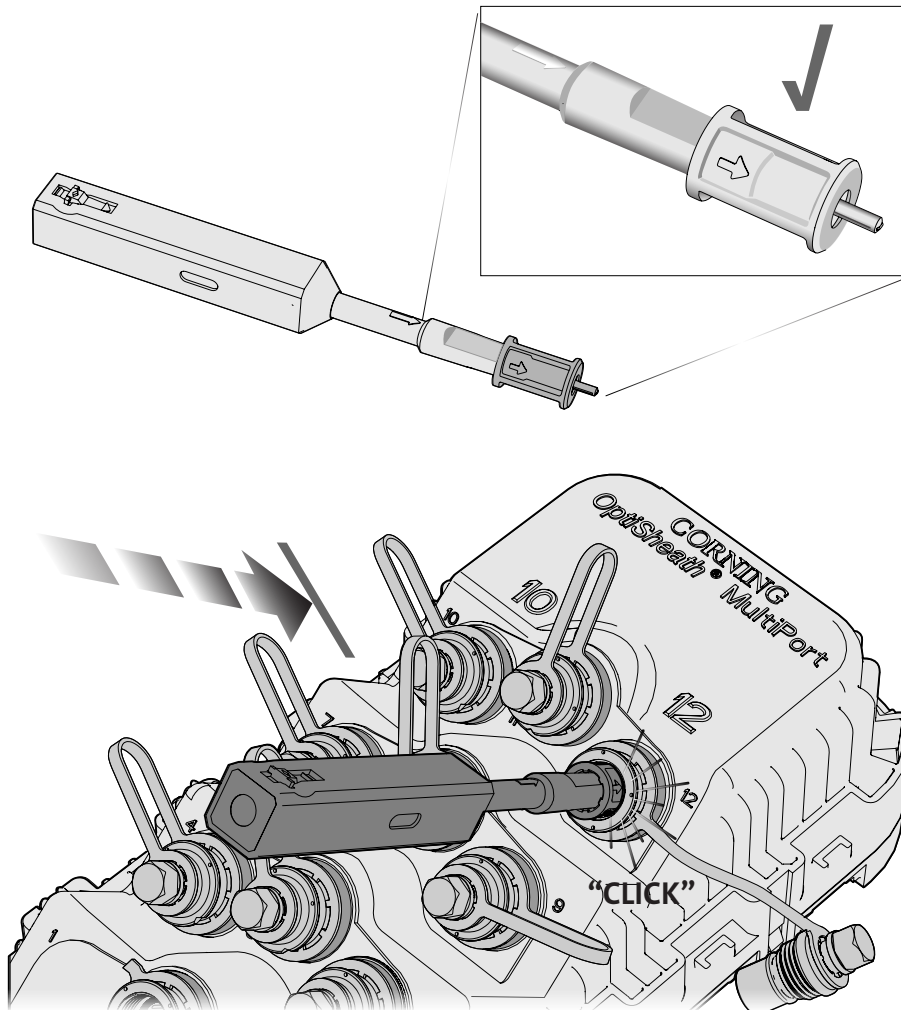
Figure 9

Step 4: The cleaning process is now complete. Remove tool from the port. Reinstall the dust plug until you are ready to mate the drop connector to the terminal.

5. OptiTap® Terminal Port Cleaning Tool

Step 1: Install the adapter for the OptiTap terminal as show below:

Step 2: Insert the cleaning tool into the OptiTap port.



TPA-6743

Figure 10

Step 3: Insert the cleaning tool into the terminal port, until the tool bottoms out and an audible “CLICK” is heard. (Figure 10).

Step 4: The cleaning process is now complete. Remove the tool from the terminal port and reinstall the dust cap until it is time for a connector to be placed.