

10G HPoE Media Converter

1LAN-FMC-10G Gen II



1LAN-FMC-10G -U Front



1LAN-FMC-10G -U Top

The Corning FMC-10G Generation II is a J1TC APL listed media converter that is TAA compliant. This industrial-grade, unmanaged, 10G fiber media converter is equipped with one RJ-45 copper interface and one SFP+ fiber optic interface. The RJ-45 copper interface supports speeds ranging from 100MB to 10GB, while the SFP+ port offers a compatible 10GBase-SR/LR SFP+ interface, also supporting 1G/2.5G Base SFPs.

A key upgrade in this model is its support for both 1G and 10G transceivers, unlike the previous version which only supported 10G transceivers, and was not TAA compliant. Additionally, this new FMC features two dip switches on its face, introducing new functions. The “Watch Dog” dipswitch will reset the PoE power to the powered device (PD) if it stops transmitting data for more than 300 seconds.

The “Link Fault Pass-Through” (LFP) dipswitch provides link down status to the switch for both local and remote FMCs. If both dipswitches are turned off, the Gen 2 FMC will perform just like the Gen 1 version.

The unit comes with 802.3bt Type 4 Power over Ethernet (PoE++, HPoE) capabilities, allowing it to deliver up to 90W of power output and high-speed data transmission to edge devices. The Corning FMC-10G functions as a Power Sourcing Equipment (PSE), providing power and high-speed data transmission over an Ethernet cable to powered devices (PDs). The unit offers non-blocking wire-speed performance and exceptional flexibility, making it ideal for extending 10G Ethernet into outdoor long reach applications or industrial environments where reliable power input is crucial. It also supports redundant power with two power inputs ranging from 44 to 57VDC.

The unit is encased in an IP30-rated, rugged yet compact housing that can be wall or DIN rail mounted. It’s ideally suited for a wide range of applications, from copper to fiber media conversion in environments requiring up to 10GE bandwidth and capable of withstanding wide temperature ranges.

Features	Benefits
Physical Port	<ul style="list-style-type: none"> 1 port 10G/5G/2.5G/1G/100M Base-T RJ45 interface with IEEE 802.3bt PoE++ injector function 1 port 10GBase-X SFP+ interface (Compatible with 1G/2.5G Base-X SFP)
Power over Ethernet	<ul style="list-style-type: none"> Complies with IEEE 802.3bt PoE++ Type-4 PSE Backward compatible with IEEE 802.3af/at PoE+ standard Supports PoE Power up to 90 watts for PoE port. Provides power over RJ45 Ethernet cable to PD with Ethernet port. Auto-detect IEEE 802.3bt equipment and protects device from being damaged by incorrect installation. Remote powering of connected PD up to 100m
Layer 2 Features	<ul style="list-style-type: none"> IEEE 802.3an/802.3ae Ethernet standard compliant Supports auto-negotiation and 10Gbps full duplex mode Prevents packet loss with IEEE 802.3x pause frame flow control (full-duplex) Automatic address learning and address aging
Industrial Case and Installation	<ul style="list-style-type: none"> Slim-type IP30 metal case DIN rail and wall-mount design 44~57V DC redundant power with reverse polarity protection 100 meters over Cat6A at 10Gbps Plug and Play Installation Powered Fault Alarm contact (24VDC 1A max)
Dipswitch controlled functionality	<ul style="list-style-type: none"> Switch 1 LFP (Link Fault Pass though) Switch 2 Watchdog

Specifications

Hardware Specifications	
Copper Interface	1 x 10G/5G/2.5G/1G/100M Base-T RJ45 Auto-MDI/MDI-X, auto-negotiation
Fiber Optical Interface	1 x 10GBase-SR/LR SFP+ interface (compatible with 1G/2.5G Base SFP)
Connector	<ul style="list-style-type: none"> 4-pin terminal block for Power 1, Power 2 2-pin terminal block for powered fault alarm. (24VDC 1A output max) Pin 1/2 for Power 1, Pin 3/4 for fault alarm, Pin5/6 for alternate Power 2
Alarm	Provides one relay output for power failure
LED	P1, P2, Alarm, RJ-45 PoE Usage (Downside) RJ-45 LNK/ACT (Upside) 5G/10G SFP+ port LNK/ACT 2.5G SFP port LINK/ACT 1G SFP port LINK/ACT
Enclosure	IP30 type metal case
Installation	DIN-rail and wall mount
Dimensions (W x D x H)	4.7in (L), 3.5in (W), 1.4in (H) 120mm (L), 90mm (W), 35.0mm (H) Weight: 12.8oz 360g
Weight	270g
Power Requirements	44~57V DC, supports reverse polarity protection
Power Consumption	System ON without loading 48V DC: up to 5.5W Full loading with PoE++ (1 Port) 48V DC: up to 100W
Built-in Surge Protection	6KV on both Ethernet and Power ports

Specifications	
Flow Control	IEEE 802.3x pause frame for full duplex
Fabric	20Gbps
Network Cables	<p>10G/5G/2.5G/1G/100M Base-T: 10G - Cat 6A/7 5G - Cat 6/6A/7 2.5G/1G - Cat 5e/6/6A/7 100M – Cat 5/5e/6/6A/7 Cat 5/5e/6/6A/7 UTP cable (max 100 meters) EIA/TIA-568 100-ohm STP (max 100 meters)</p> <p>10GBase-LR/SR/BX: 50/125um or 62.5/125um multi-mode fiber optic cable, up to 300m 9/125um single-mode fiber optic cable, up to 80km</p>

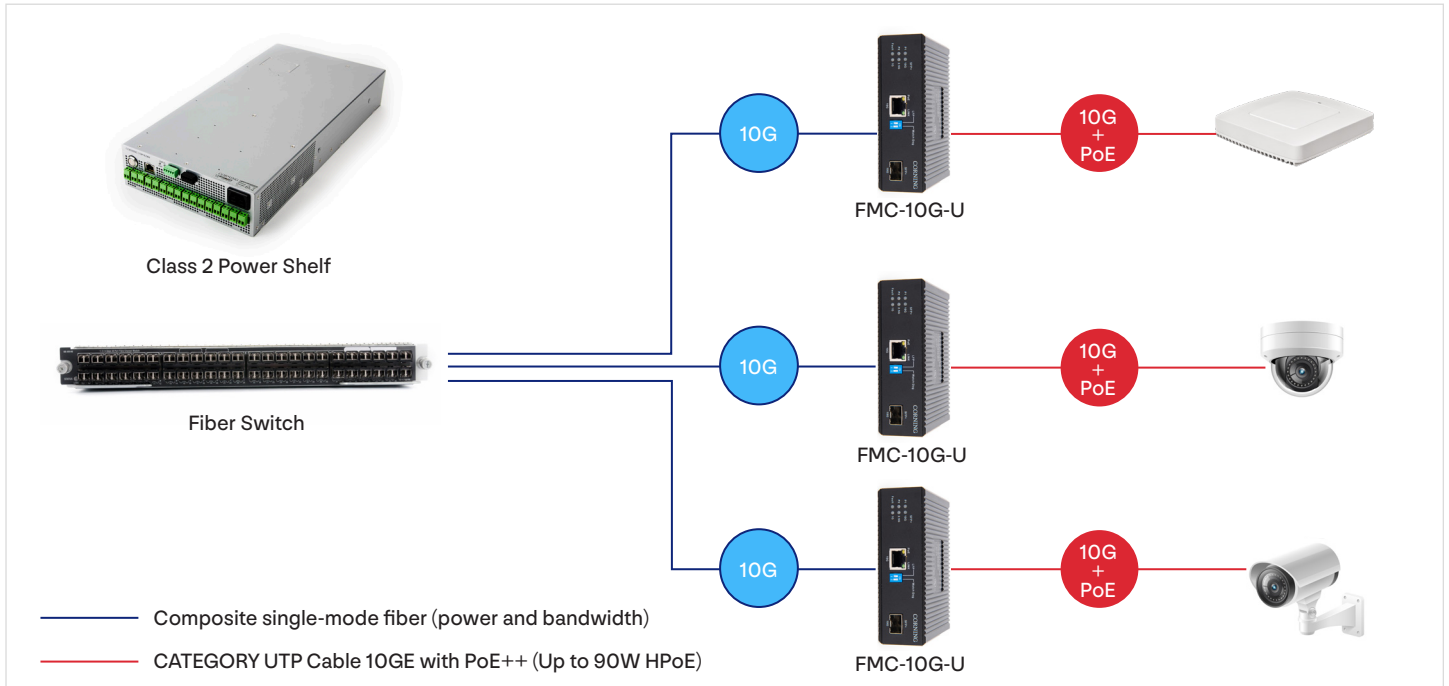
Power over Ethernet	
PoE Standard	IEEE 802.3bt, Type 4 Power over Ethernet Plus Plus (HPoE)
PoE Power Output	90W
PoE Power Supply Type	End-span + Mid-span
Power Pin Assignment	Mode A End-span: 1/2(-), 3/6(+) Mode B Mid-span: 4/5(+), 7/8(-)
PoE Power Budget	<ul style="list-style-type: none"> ▪ 15.4 watts @ 44~57 VDC Input ▪ 30 watts @ 50~57 VDC Input ▪ 60 watts @ 50~57 VDC Input ▪ 90 watts @ 52~57 VDC Input

Standards Conformance	
IEEE Standards	IEEE 802.3u 100Base-T IEEE 802.3ab 1000Base-T IEEE 802.3bz 2.5G/5GBase-T IEEE 802.3an 10GBase-T IEEE 802.3ae 10Gbps Ethernet IEEE 802.3af Power over Ethernet - IEEE 802.3at Power over Ethernet Plus - IEEE 802.3bt Power over Ethernet Plus Plus
Regulatory Compliance	FCC Part 15 Class A

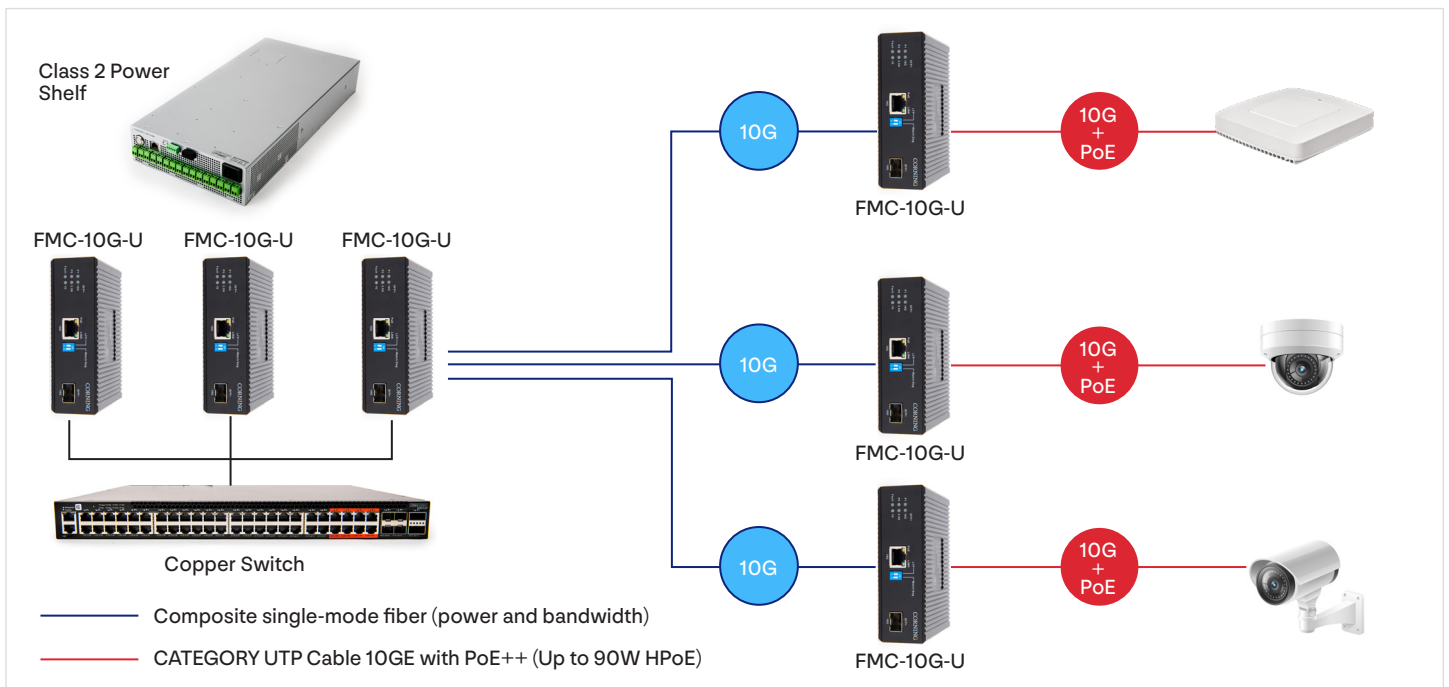
Environment	
Temperature	Operating temperature: -40°F ~ 167°F -40°C ~ 75°C Storage temperature: -40°F ~ 185°F -40°C ~ 85°C
Humidity	Operating: 5% ~ 95% RH Non-condensing

Application

The Corning FMC-10G lends itself to 2 main methods of deployment. Single sided - extending the reach of an optical switch. Double sided - extending the reach of a copper based switch.



Method 1



Method 2

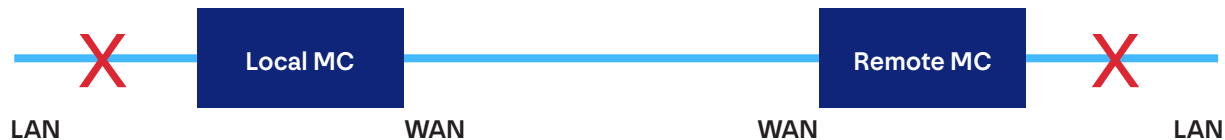
DIP Switch Features

LFP (Link Fault Pass-Through)

This feature provides link down status for local and remote FMCs. It needs to be enabled on the dipswitch.

1. The link down status of LAN side will inform the other remote media converter.

E.g., As shown below, when the LAN port of Local MC link is down the LAN port of Remote MC will be set to link down and LFP is forced.



2. The link down status of WAN side will firstly transfer to LAN side for Local media converter, then transfer to LAN side of remote media converter.

E.g., as shown below, when WAN side of Local MC link down, the LAN port of Local MC will be set to link down and LFP forced, then set the LAN port of Remote MC to be link down and LFP forced



3. When LAN port is back to link up, the system will cancel LFP forced status of the companion media converter LAN port.

E.g., When LAN port of Local MC back to link up from link down, the system will cancel LFP forced status of LAN port of Remote MC.



3. When WAN port of Local MC back to link up, the system will cancel the LFP forced status for all the LAN ports of both local and remote media converter.



Watchdog

This feature supports to reset the PoE Powered Device (PD) if there is no traffic received by the FMC for 300 seconds. When reset triggered, the PD site equipment will reboot and then reconnect to the 1LAN-FMC-10G. It can recover the PD equipment that had crashed or was hung up. It needs to be enabled by the dipswitch.

Ordering Information

Description	Part Number
10G Fiber Media Converter, 1x10G RJ-45, 802.3bt HPoE	1LAN-FMC-10G-U
Din Rail Accessory Bracket for FMC (48.4 x 32 x 9mm) (15 g)	1LAN-FMC-DINBRACKET
EN 50022 – 35 × 7.5 (1M) (DIN RAIL)	1LAN-SDAN-DIN160
Outdoor enclosure for micro SDAN family (81XX, 82XX), FMC	1LAN-D600-ENC-3
Outdoor enclosure for 4/8 GE port Family (729X, 769X)	1LAN-D600-ENC-8
Class 2 power supply, 56 Vdc, 1 channel, mini form factor, includes DIN Bracket	CIP-01-56V
Class 2 power supply, 56 Vdc, 16 channels, 1.5RU	CIP-16-56V-U
Class 2 power supply, 56 Vdc, 32 channels, 1.5RU	CIP-32-56V-U
10GBASE-BX10-D BiDi SFP+ 1330 nm-TX/1270 nm-RX 10 km DOM Transceiver Module	1LAN-SFPP-10G-BXD-I-U
10GBASE-BX10-U BiDi SFP+ 1270 nm-TX/1330 nm-RX 10 km DOM Transceiver Module	1LAN-SFPP-10G-BXU-I-U
1G B Bi-Di SFP; 1310Tx/1490Rx	1LAN-SFP-3405BC-U
1G Bi-Di SFP; 1490Tx/1310Rx	1LAN-SFP-4305BC-U
10Gb/s SFP+ Transceiver module, SMF, 1310 nm, 10 km	1LAN-SFPP-10LR-U
1G SFP TRX, 1000BASE-LXLH, SMF, 1310 nm, 10 km	1LAN-SFP-1GB-LXLH

CORNING

Corning Optical Communications LLC • 4200 Corning Place • Charlotte, NC 28216 USA
800-743-2675 • FAX: 828-325-5060 • International: +1-828-901-5000 • www.corning.com/opcomm

Corning Optical Communications reserves the right to improve, enhance, and modify the features and specifications of Corning Optical Communications products without prior notification. A complete listing of the trademarks of Corning Optical Communications is available at www.corning.com/opcomm/trademarks. All other trademarks are the properties of their respective owners. Corning Optical Communications is ISO 9001 certified. © 2024, 2025 Corning Optical Communications. All rights reserved. LAN-3282-AEN / March 2025