

Splice Closure Family (SCF)



SCF-6C28-ORS (Open Ribbon System) | Photo TRCLS030



SCF-8C28-01-F (with 0.4 in tray stacker) | Photo TRCLS032

Corning Splice Closure (SCF) with Mechanical End Cap is designed for splicing fibers in aerial, duct, and buried applications. These sealed canister closures are available in configurations that can accommodate from 72 to 576 single-fiber splices, or from a 288- to 1296-fiber capacity if splicing ribbons.

Allowing reel-end to reel-end splicing in the open ribbon system (ORS), the SCF closures offer split end caps for convenient installation of uncut cables. QUICK-SEAL™ Mechanical Seal drop cable ports allow quick and easy installation during the initial build or for future expansion.

The consolidation of multiport tails for up to 24 flat cables is accomplished with optional add-a-cable kits. Designed for configuration flexibility, these closures offer expanded slack storage, various tray heights, and mass-platform storage.

Features	Benefits
Modular fiber management system	Increased splicing capability in the field
Aerial, wall, pole, direct-buried	Suitable for all applications
Sealed butt-style closure	Environmental protection
Ribbon reel-end to reel-end splicing	No additional splice trays required (ORS)
Split end caps	Easy installation of uncut cables
Standards	
Approvals and Listings	Telcordia GR-771 tested



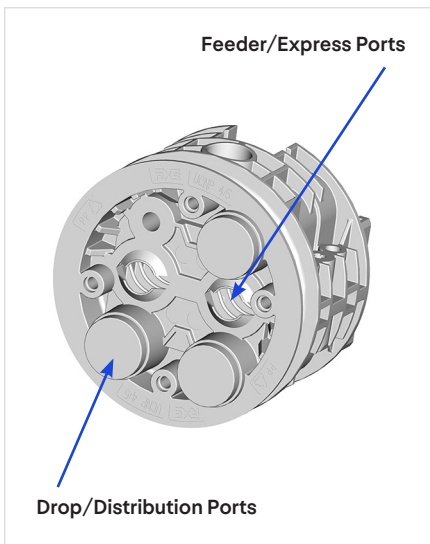
SCF-4C18-01

Specifications

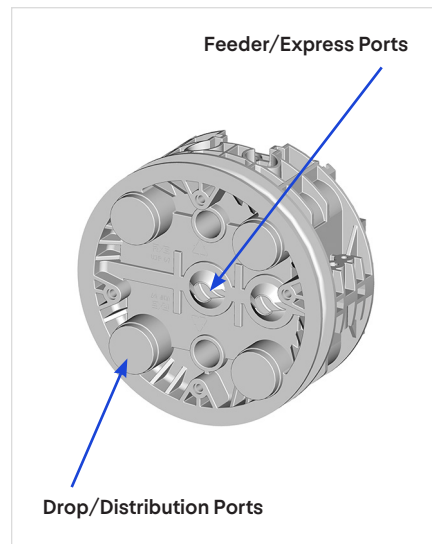
Shipping Package		
	Dimensions (H x W x D)	Shipping Weight
SCF-4C18-01	16.2 x 16.2 x 58.4 cm (6.4 x 6.4 x 23 in)	3.63 kg (8 lb)
SCF-6C22	22.2 x 22.2 x 67.3 cm (8.8 x 8.8 x 26.5 in)	7.26 kg (16 lb)
SCF-6C28	22.2 x 22.2 x 82.6 cm (8.8 x 8.8 x 32.5 in)	8.17 kg (18 lb)
SCF-8C28	25.4 x 25.4 x 83.8 cm (10 x 10 x 33 in)	11.34 kg (25 lb)

Specifications (continued)

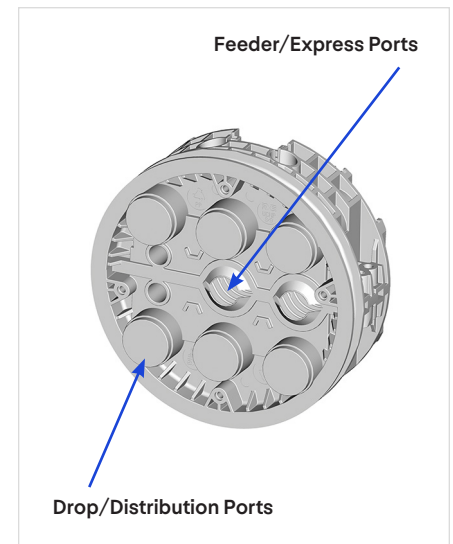
Closure Type	SCF-4C18	SCF-6C22	SCF-6C28	SCF-8C28
Outside Diameter — D1	6 in (15.2 cm)	9 in (22.9 cm)	9 in (22.9 cm)	12 in (30.5 cm)
Outside Diameter — D2	5 in (12.7 cm)	7 in (17.8 cm)	7 in (17.8 cm)	9 in (22.9 cm)
Closure Length — L	19 in (48.3 cm)	23 in (58.4 cm)	29 in (73.7 cm)	28 in (71.1 cm)
Port Count				
Feeder/Express	2	2	2	2
Drop/Distribution	3	4	4	6
Feeder/Express	0.5–0.8 in (12–20 mm)	0.5–0.9 in (12–22 mm)	0.5–0.9 in (12–22 mm)	0.5–1.3 in (12–32 mm)
Drop/Distribution	0.2–0.6 in (5–15 mm)	0.2–0.7 in (5–18 mm)	0.2–0.7 in (5–18 mm)	0.5–1.0 in (12–25 mm)



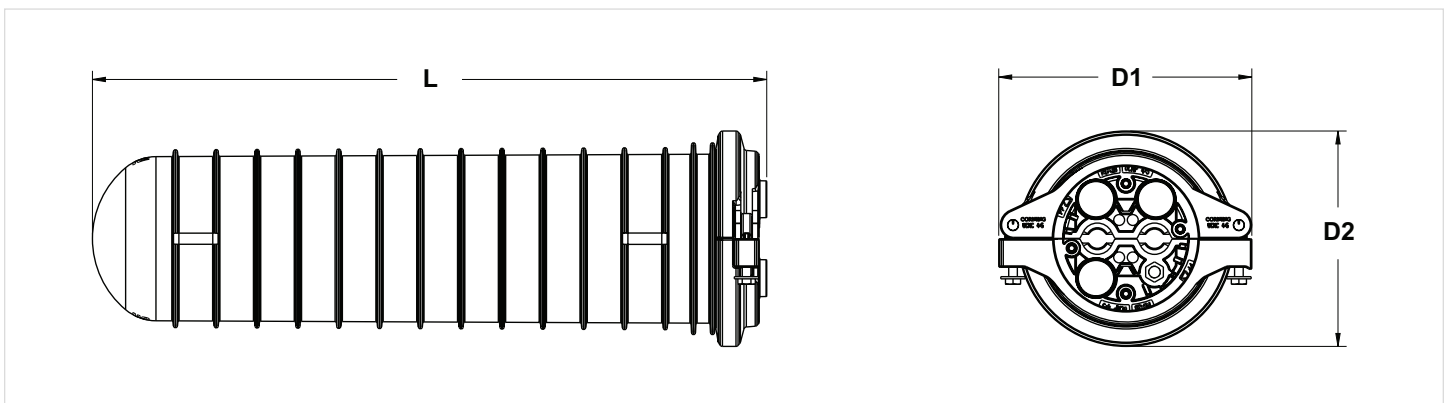
SCF 4 in End Cap | Photo CRR1006



SCF 6 in End Cap | Photo CRR1007



SCF 8 in End Cap | Photo CRR1008



SCF Mechanical End Cap | Drawing ZA-3930

Specifications (continued)

Splice Trays for Single-Fiber Splicing Only				
Splice Tray Part Number	SCF-ST-099 Short 0.2-in thick tray for single-fiber heat-shrinks			
Splice Tray Capacity	12F			
Splice Holder	Single Stacked			
Closure Part Number	No. of Trays	Closure Capacity		
SCF-4C18-01	6	72		
Splice Tray Part Number	SCF-ST-116 Short 0.4-in thick tray for single-fiber heat-shrinks		SCF-ST-077 Short 0.4-in thick tray for single-fiber heat-shrinks	
Splice Tray Capacity	24F		48F	
Splice Holder	Double Stacked		Double Stacked	
Closure Part Number	No. of Trays	Closure Capacity	No. of Trays	Closure Capacity
SCF-4C18-01	3	72	N/A	N/A
SCF-6C22-01-F	4	96	N/A	N/A
SCF-6C22-02-F	8	192	N/A	N/A
SCF-6C28-01-F	4	96	4	192
SCF-6C28-02-F	8	192	8	384
SCF-8C28-01-F	6	144	6	288
SCF-8C28-02-F	12	288	12	576
Splice Trays for Ribbon/Mass Fusion Splicing				
Splice Tray Part Number	SCF-ST-116 Short 0.4-in tray for 12-fiber ribbon splices		SCF-ST-077 Long 0.4-in tray for 12-fiber ribbon splices	
Splice Tray Capacity	Three, 12-fiber ribbons		Six, 12-fiber ribbons	
Splice Holder	Single Stacked		Single Stacked	
Closure Part Number	No. of Trays	Closure Capacity	No. of Trays	Closure Capacity
SCF-4C18-01	4	144	N/A	N/A
SCF-6C22-01-F	4	144	N/A	N/A
SCF-6C22-02-F	8	288	N/A	N/A
SCF-6C28-01-F	4	144	4	288
SCF-6C28-02-F	8	288	8	576
SCF-8C28-01-F	6	216	6	432
SCF-8C28-02-F	12	432	12	864
SCF-4C18-ORS	No Tray Required	144	No Tray Required	144
SCF-6C22-ORS	No Tray Required	288	No Tray Required	288
SCF-6C28-ORS	No Tray Required	432	No Tray Required	432
SCF-8C28-ORS	No Tray Required	864	No Tray Required	864

SCF Splice Trays

Corning offers a variety of splice trays suitable for the SCF Closures. The SCF Splice Trays listed here are those most often used with the SCF Closures.

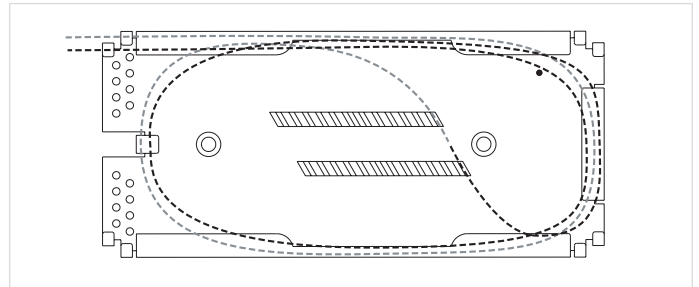
Refer to the Splice Trays tables in this document for an overview of the tray quantities and splicing capacities for each SCF Closure part number. For a complete description of all splice trays suitable for the SCF Closures, please refer to Splice Trays literature, Splice Tray Selection SCF Closures Family Spec Sheet_0223_NAFTA_AEN.

SCF-ST-099

12-position heat-shrink splices, 0.2-in metal tray for single fiber

8.75 x 3.9 x 0.2 in (22.3 x 10 x 0.54 cm)

Splice Protection: 2806031-01 heat-shrink splice protector, single fiber, 60 mm (pack of 50)



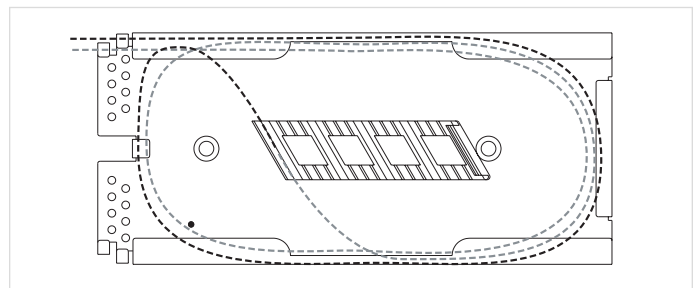
SCF-ST-099 Splice Tray with 12-Position Heat-Shrink Splice Holders
Drawing ZA-2273

SCF-ST-116

24-position heat-shrink, 0.4-in metal tray for single fiber are compatible only with closure part numbers ending with the 2 digits, "-F."

8.75 x 3.9 x 0.4 in (22.3 x 10 x 1 cm)

Splice Protection: 2806031-01 heat-shrink splice protector, single fiber, 60 mm (pack of 50) or 2806031-012 heat-shrink splice protector, 12-fiber ribbon, 40 mm (pack of 25)



SCF-ST-116 Splice Tray with 24-Position Heat-Shrink Splice Holders
Drawing ZA-2274

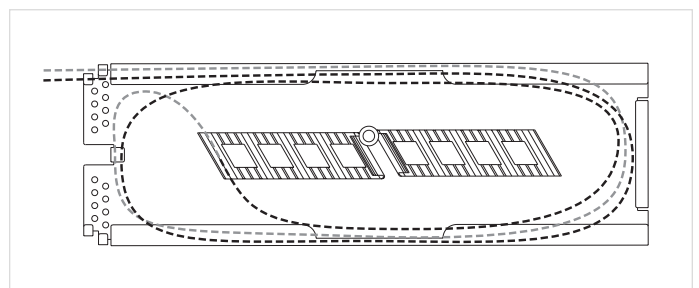
SCF-ST-077

48-position heat-shrink for single fiber or six mass 72-fiber (0.4 in) metal tray

12.23 x 3.9 x 0.4 in (31.1 x 10 x 1 cm)

0.4-inch trays compatible only with closure part numbers ending with the 2 digits, "-F."

Splice Protection: 2806031-01 heat-shrink splice protector, single fiber, 60 mm (pack of 50); 2806032-01 heat-shrink splice protector, 40 mm (pack of 50); or 2806031-012 heat-shrink splice protector, 12-fiber ribbon, 40 mm (pack of 25)



SCF-ST-077 Splice Tray, 0.4-in with 48-Position Heat-Shrink Splice Holders | Drawing ZA-2266

Note: Due to length, SCF-ST-077 0.4-in trays can only be used with 28-in closures with part numbers that end in "-F."

Ordering Information

SCF C - -

1 **2** **3** **4**

1 Select closure diameter.

- 4 = 4-in
- 6 = 6-in
- 8 = 8-in

2 Select closure length.

- 18 = 18-in (4-in only)
- 22 = 22-in (6-in only)
- 28 = 28-in (4-in and 8-in)

3 Select fiber management configuration.

- O1 = 1 splice tray stacker plus full slack storage
- O2 = 2 splice tray stackers plus reduced slack storage
- ORS = Open ribbon systems (864F max. capacity)
- XORS = Open ribbon systems (1,296F max. capacity) only use with SCF8

When choosing ORS, remaining characters should be left blank.

See Note 4.

4 Select splice tray stacker configuration.

- Blank = 0.2-in tray height (single-fiber)
- F = 0.4-in tray height (single-fiber or ribbon)

Notes:

- 1) Each 4-in canister is equipped to install one of the three available drop ports, ground for two cables.
- 2) Each 6-in canister is equipped to install two of the four available drop ports, ground for two cables.
- 3) Each 8-in canister is equipped to install two of the six available drop ports, ground for two cables.
- 4) ORS closures have integrated splice holders for express/feeder cables; splice trays for splicing drop/distribution cables must be ordered separately.
- 5) 6-in and 8-in canisters only accept 0.4-in trays.
- 6) 4-in canisters only accept 0.2-in trays

Ordering Information

Sample SCF Part Numbers

Part Number	Description
SCF-4C18-01	SCF Closure, 4 x 18, 1 Tray Stacker, 0.2
SCF-4C18-ORS	SCF Closure, 4 x 18, Open Ribbon System (maximum 864F)
SCF-8C28-02-F	SCF Closure, 8 x 28, 2 Tray Stacker, 0.4
SCF-8C28-XORS	SCF Closure, 8 x 28, Open Ribbon System (maximum 1,296F)

Accessories

Part Number	Description	SCF-4C18	SCF-6CXX	SCF-8CXX
Grounding Kits				
SCF-KT-6GND	SCF Ground Kit, all sizes (two bond clamps and leads)	■	■	■
UCN-GND-SC20	Ground Bonds, small with central member strain-relief (20/pack)	■	■	■
UCN-GND-S20	Ground Bonds, small (20/pack)	■	■	■
UCN-GNDCBL-20	Ground Leads, 8 in long (20/pack)	■	■	■
SCF-KT-GND87	Isolated Grounding Kit for drop port, 8-in, seven ground cables, five dummy plugs and seven ground clamps, one port			■
SCF-KT-GND62	Isolated Grounding Kit for drop port, 6 in, two ground cables, two dummy plugs and two ground clamps, one port		■	
SCF-KT-GNDCBL	Ground Cables for isolated grounding – includes 5 ground wires (24-in long), 5 bond clamps, 5 dummy plugs		■	■
End Cap Replacement Kits and Sealing Rings				
SCF-KT-ECR4	End Cap Replacement Kit, 4 in (end cap, hardware, tape, paste, tool, and lube)	■		
SCF-KT-ECR6	End Cap Replacement Kit, 6 in (end cap, hardware, tape, paste, tool, and lube)		■	
SCF-KT-ECR8	End Cap Replacement Kit, 8 in (end cap, hardware, tape, paste, tool, and lube)			■
UCNC4-KT-SR	Sealing Ring, end cap/canister, 4 in (one)	■		
UCNC6-KT-SR	Sealing Ring, end cap/canister, 6 in (one)		■	
UCNC8-KT-SR	Sealing Ring, end cap/canister, 8 in (one)			■
Add-a-Cable Drop/Distribution Port Kits for Round Cables				
SCF-KT-4CBL	Add-a-Cable Drop Port Kit, 4 in (one port)	■		
SCF-KT-6CBL	Add-a-Cable Drop Port Kit, 6 in (two port)		■	
SCF-KT-8CBL	Add-a-Cable Drop Port Kit, 8 in (two port)			■
Feeder/Express Port Cable Kits for Round Cables				
SCF-KT-EXP-SM	Strain-relief Hardware Kit, express port, 4 in and 6 in	■	■	
SCF-KT-EXP-8	Strain-relief Hardware Kit, express port, 8 in			■

Accessories (continued)

Part Number	Description	SCF-4C18	SCF-6CXX	SCF-8CXX
Add-a-Cable Drop/Distribution Port Kits for Flat SST-Drop™ Cable				
SCF-KT-G42-F	Add-a-Cable Drop Port Kit, 4-in, 2-SST cables/grommet (5 x 10 mm)	■		
SCF-KT-G62-F-STN	Add-a-Cable Drop Port Kit, 6-in, 2-SST cables/grommet (5 x 10 mm)		■	
SCF-KT-G84-F	Add-a-Cable Drop Port Kit, 8-in, 4-SST cables/grommet (5 x 10 mm)			■
Grommet Kits				
SCF-KT-G62-6	2-hole grommets, 5–7 mm, round, for SCF6		■	
SCF-KT-G82-6	2-hole grommets, 5–7 mm, round, for SCF8			■
SCF-KT-G83-11	3-hole grommets, 10–12 mm, round, for SCF8			■
Mounting Bracket Kits				
SCF-POLE-BKT4	Pole/Wall Bracket, 4 in	■		
SCF-POLE-BKT6	Pole/Wall Bracket, 6 in		■	
SCF-POLE-BKT8	Pole/Wall Bracket, 8 in			■
BKT-SC-C	Aerial Hanging Bracket, all sizes	■	■	■
Miscellaneous Kits				
UCN-KT-LB	Silicone Lubricant for dome seal (10 pack)	■	■	■
UCN-KT-TP	Sealing Tape Kit (five rolls)	■	■	■

CORNING

Corning Optical Communications LLC • 4200 Corning Place • Charlotte, NC 28216 USA
 800-743-2675 • FAX: 828-325-5060 • International: +1-828-901-5000 • www.corning.com/opcomm

Corning Optical Communications reserves the right to improve, enhance, and modify the features and specifications of Corning Optical Communications products without prior notification. A complete listing of the trademarks of Corning Optical Communications is available at www.corning.com/opcomm/trademarks. All other trademarks are the properties of their respective owners. Corning Optical Communications is ISO 9001 certified. © 2019, 2024 Corning Optical Communications. All rights reserved. CRR-1988-AEN / August 2024