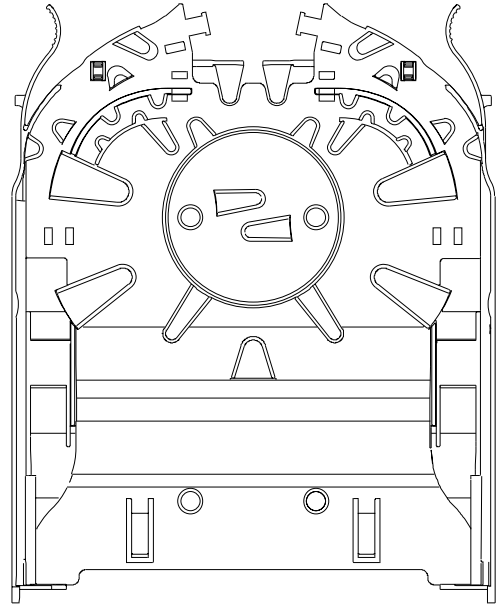
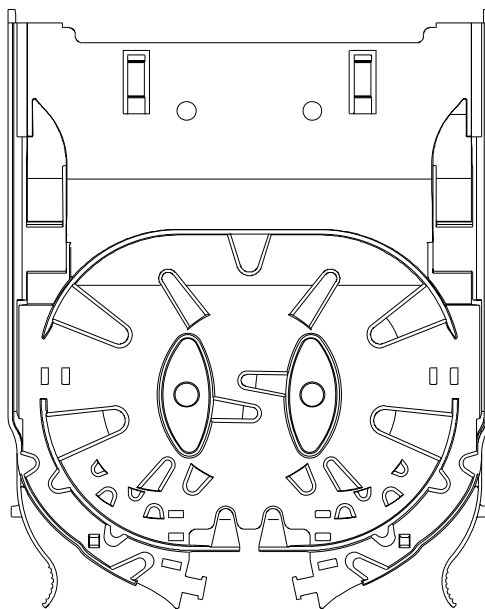
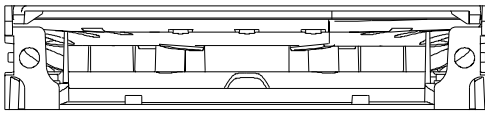


TOP VIEW
(with SPLICE TRAY)



TOP VIEW
(without SPLICE TRAY)



BOTTOM VIEW