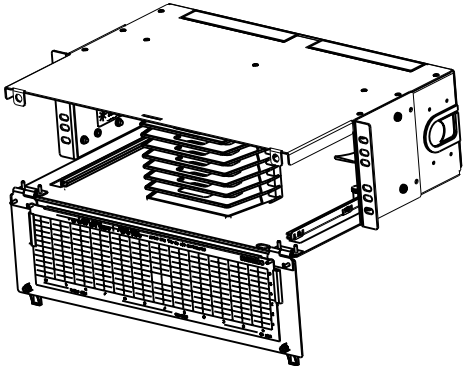
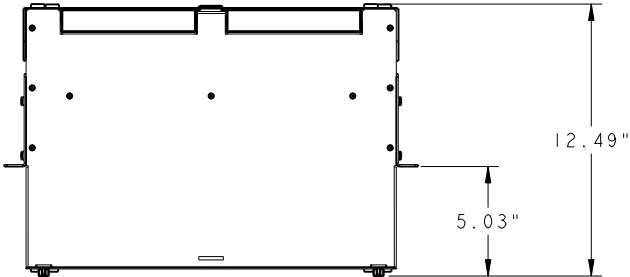
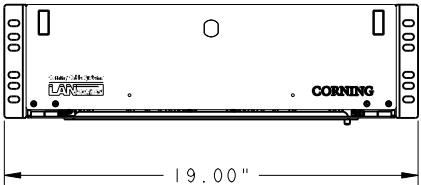


ASSEMBLY CSH-03U-F

TOP



FRONT



RIGHT

