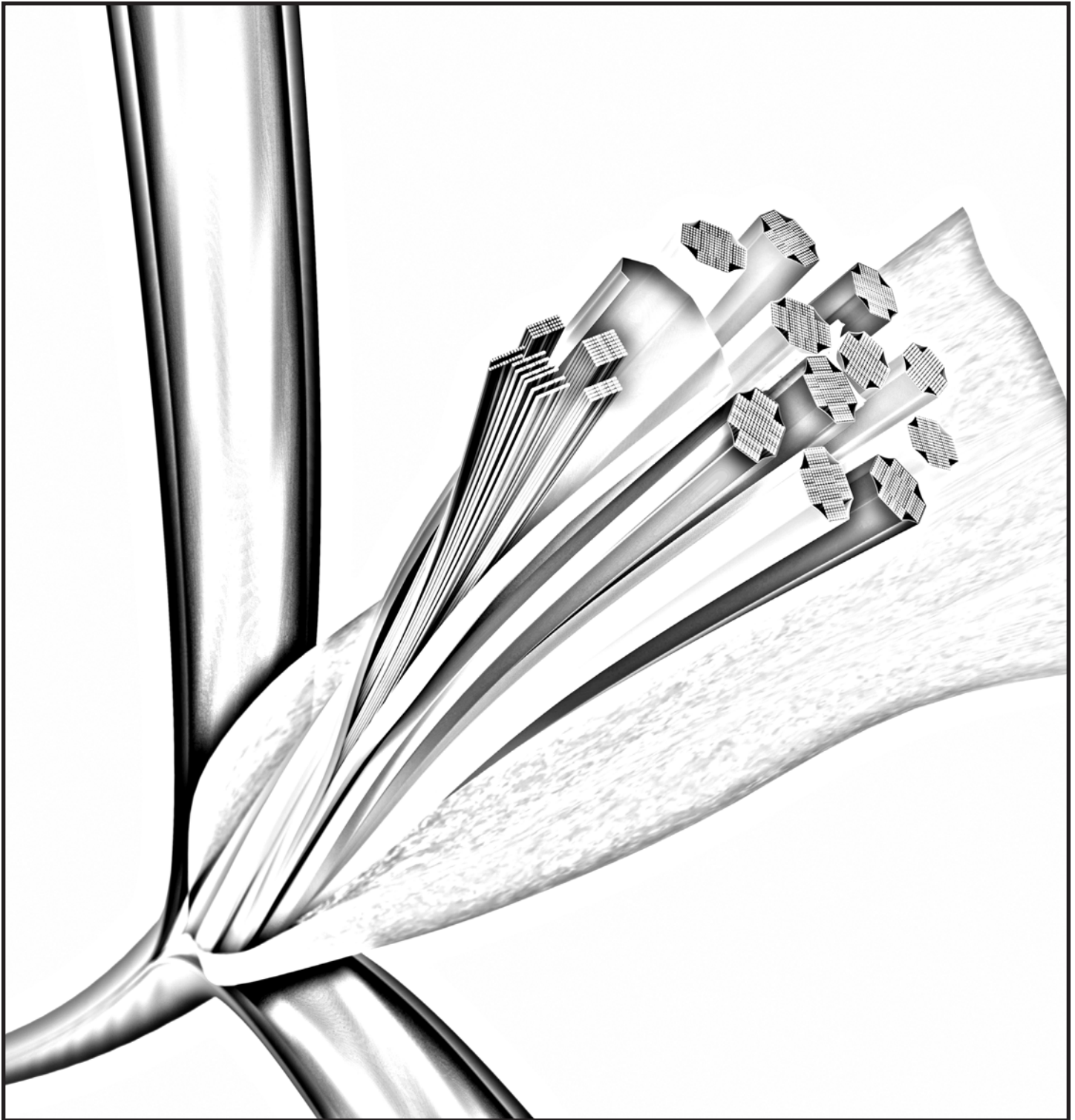


CORNING



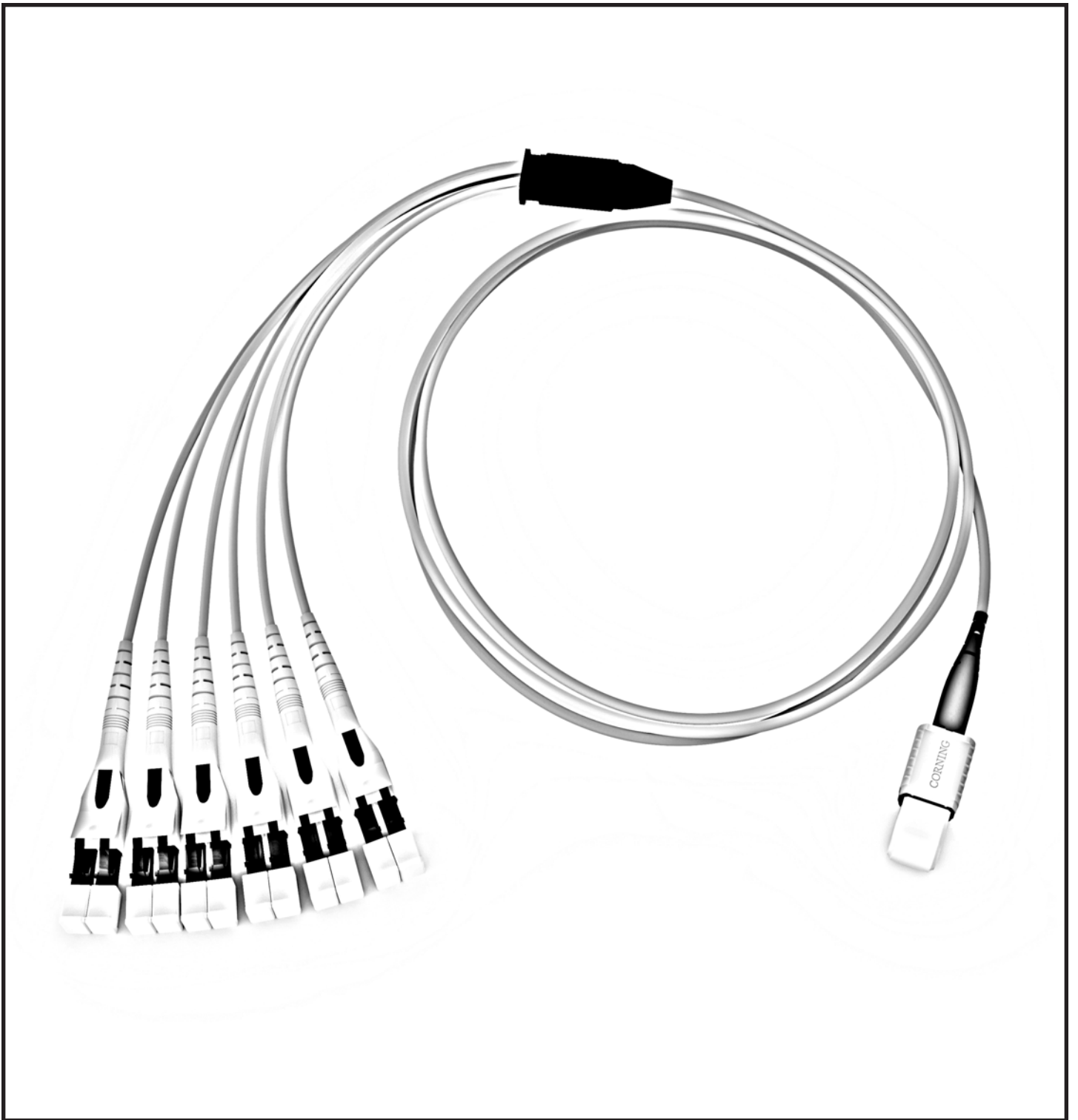
Coloring Book

For both kids and grown-ups



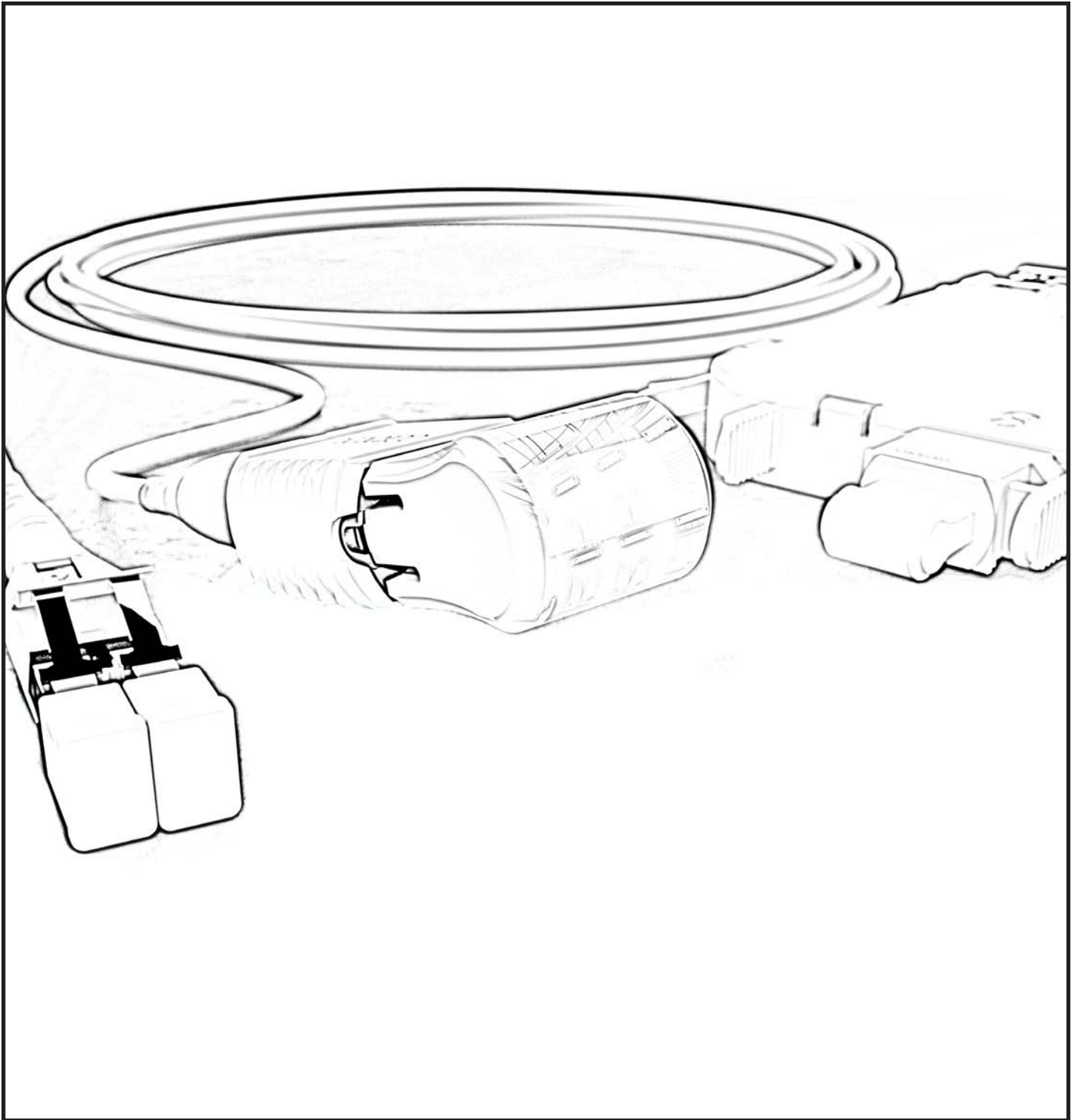
Artist Name _____

While supplies last. This offer is void where prohibited. The winner is responsible for complying with all the laws including tax laws, as well as any policies of his employer regarding gifts and prizes. Federal, state, and local governments and hospitals, including their employees and representatives, are not eligible to participate. Taxes, if any, are under the sole responsibility of the recipient of the gift.



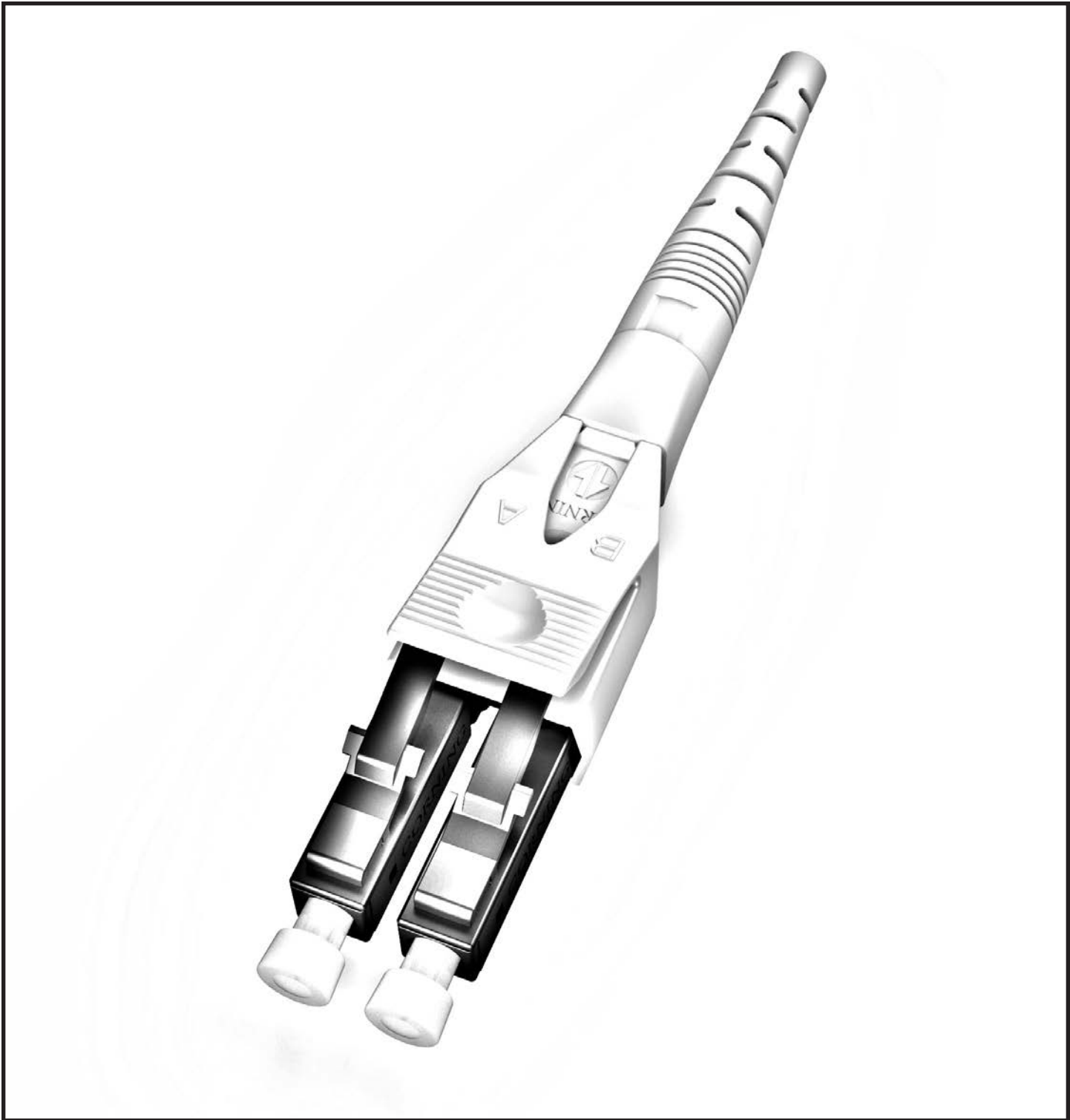
Artist Name _____

While supplies last. This offer is void where prohibited. The winner is responsible for complying with all the laws including tax laws, as well as any policies of his employer regarding gifts and prizes. Federal, state, and local governments and hospitals, including their employees and representatives, are not eligible to participate. Taxes, if any, are under the sole responsibility of the recipient of the gift.



Artist Name _____

While supplies last. This offer is void where prohibited. The winner is responsible for complying with all the laws including tax laws, as well as any policies of his employer regarding gifts and prizes. Federal, state, and local governments and hospitals, including their employees and representatives, are not eligible to participate. Taxes, if any, are under the sole responsibility of the recipient of the gift.



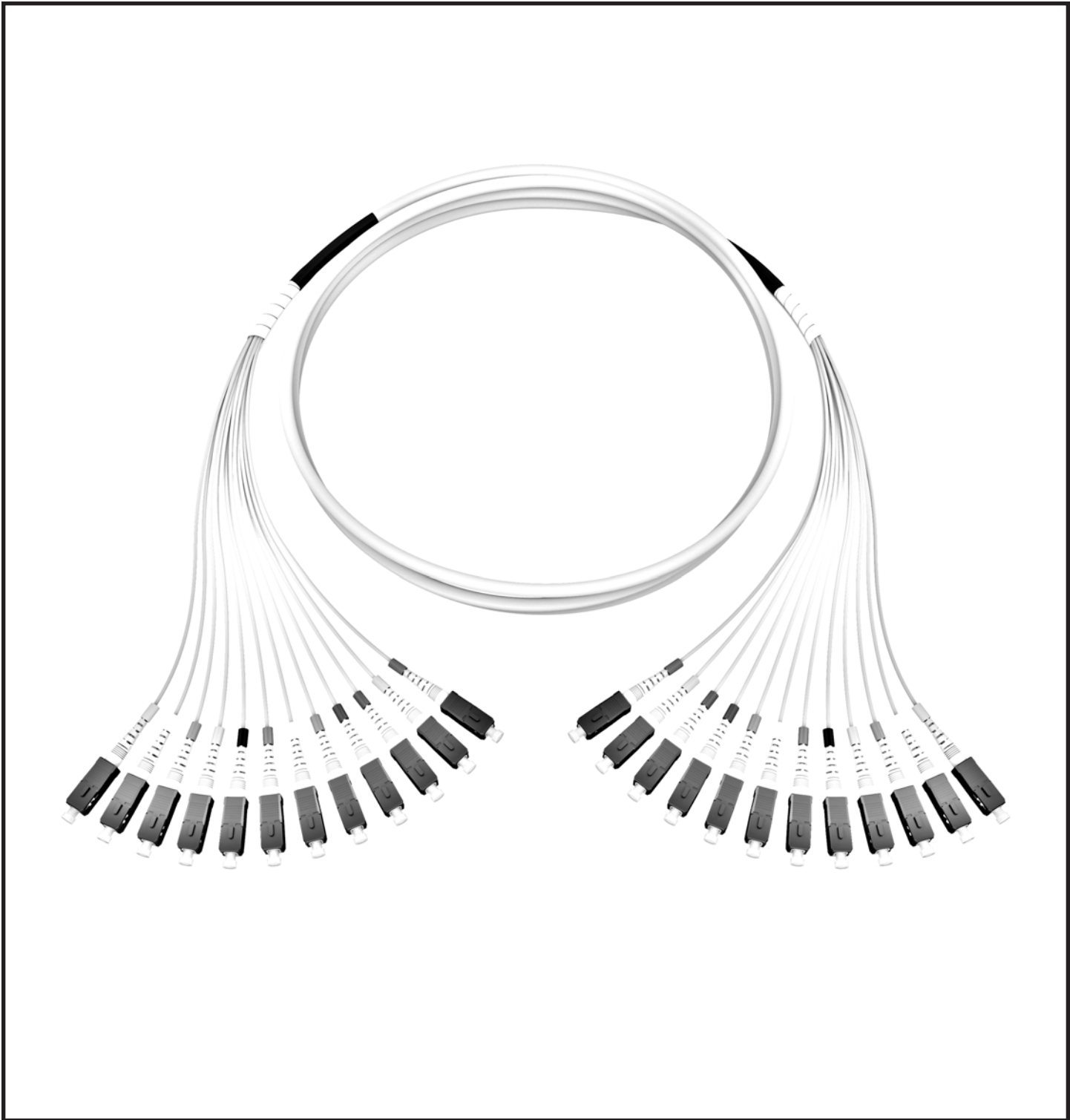
Artist Name _____

While supplies last. This offer is void where prohibited. The winner is responsible for complying with all the laws including tax laws, as well as any policies of his employer regarding gifts and prizes. Federal, state, and local governments and hospitals, including their employees and representatives, are not eligible to participate. Taxes, if any, are under the sole responsibility of the recipient of the gift.



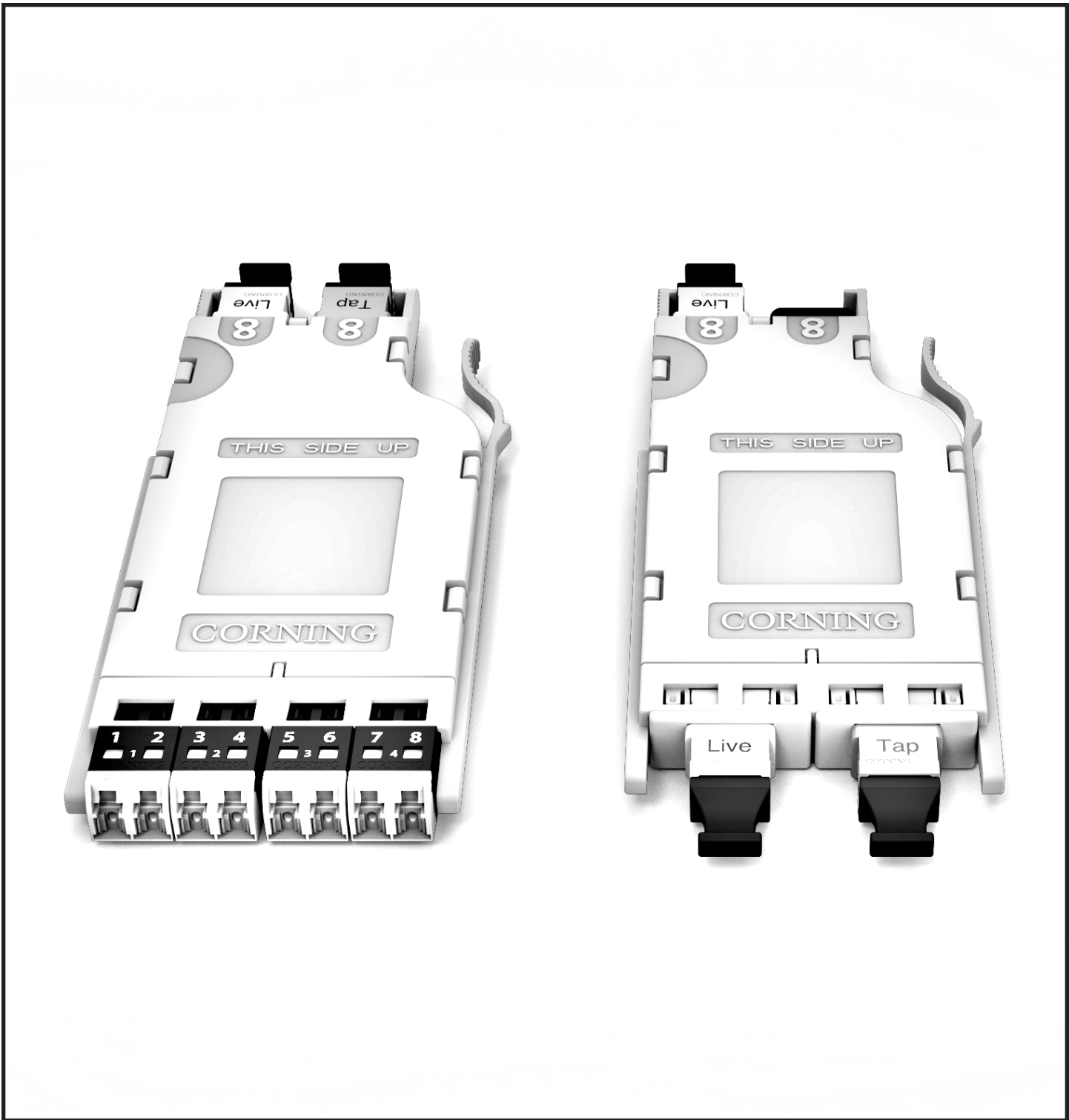
Artist Name _____

While supplies last. This offer is void where prohibited. The winner is responsible for complying with all the laws including tax laws, as well as any policies of his employer regarding gifts and prizes. Federal, state, and local governments and hospitals, including their employees and representatives, are not eligible to participate. Taxes, if any, are under the sole responsibility of the recipient of the gift.



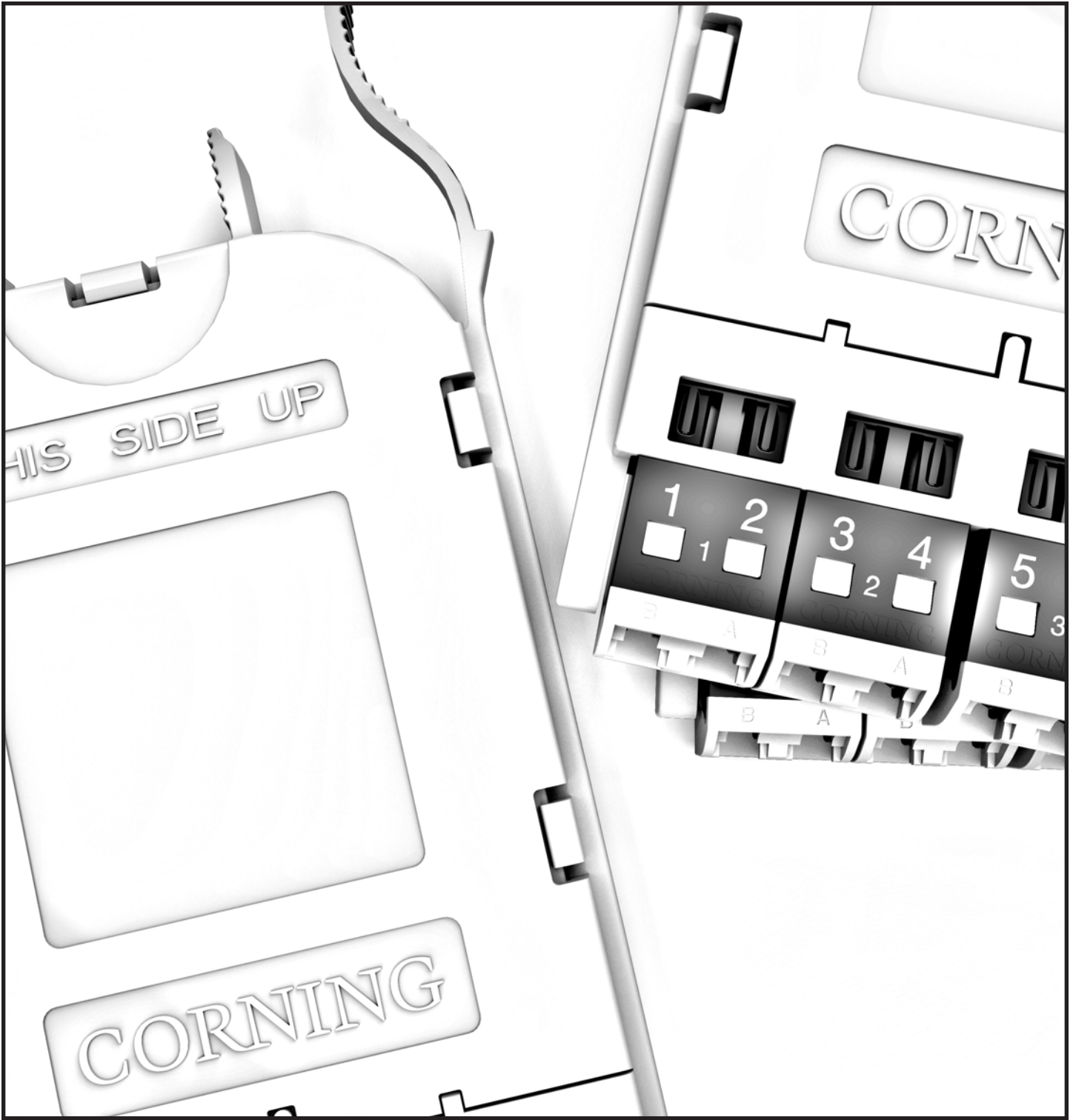
Artist Name _____

While supplies last. This offer is void where prohibited. The winner is responsible for complying with all the laws including tax laws, as well as any policies of his employer regarding gifts and prizes. Federal, state, and local governments and hospitals, including their employees and representatives, are not eligible to participate. Taxes, if any, are under the sole responsibility of the recipient of the gift.



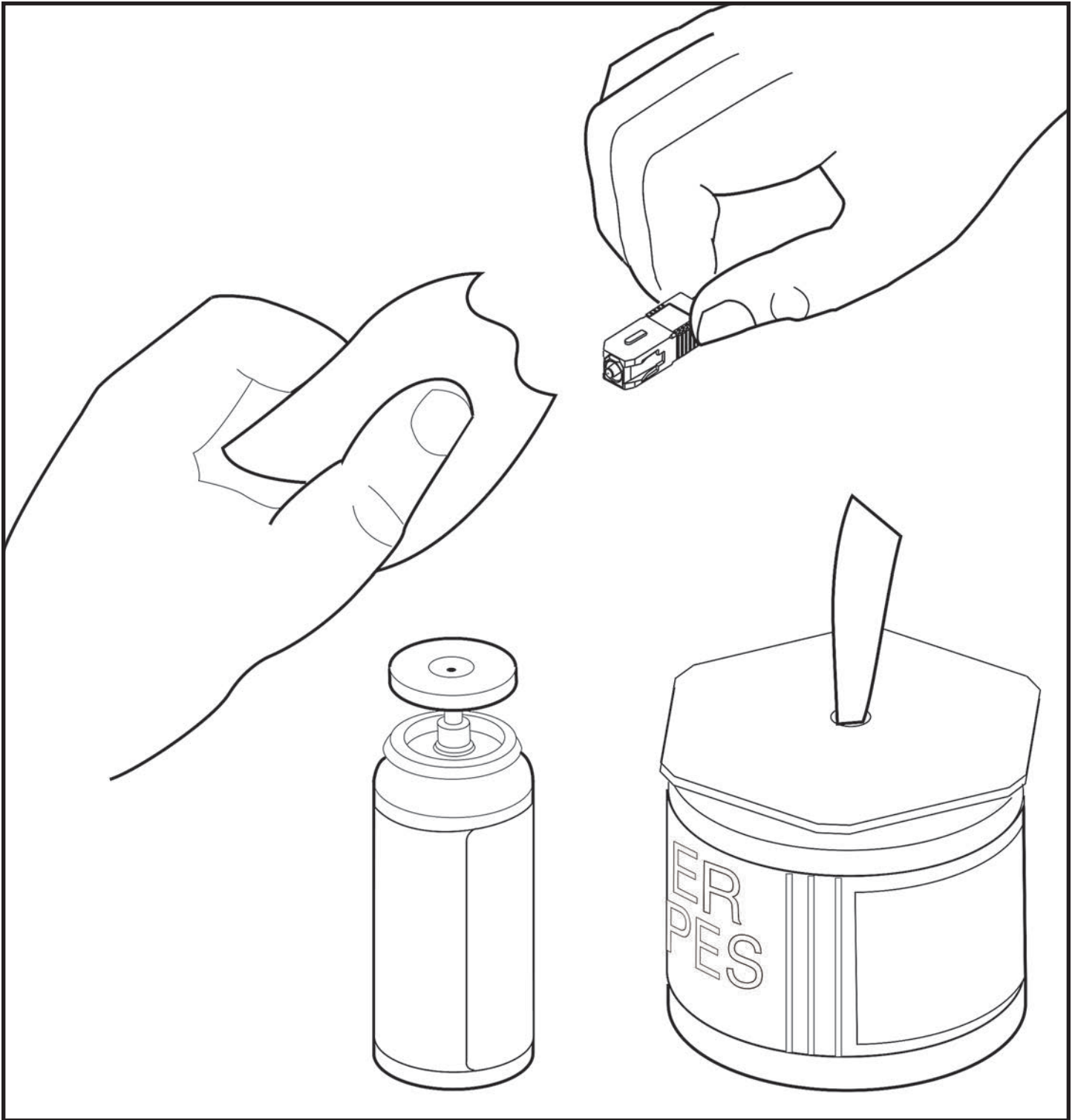
Artist Name _____

While supplies last. This offer is void where prohibited. The winner is responsible for complying with all the laws including tax laws, as well as any policies of his employer regarding gifts and prizes. Federal, state, and local governments and hospitals, including their employees and representatives, are not eligible to participate. Taxes, if any, are under the sole responsibility of the recipient of the gift.



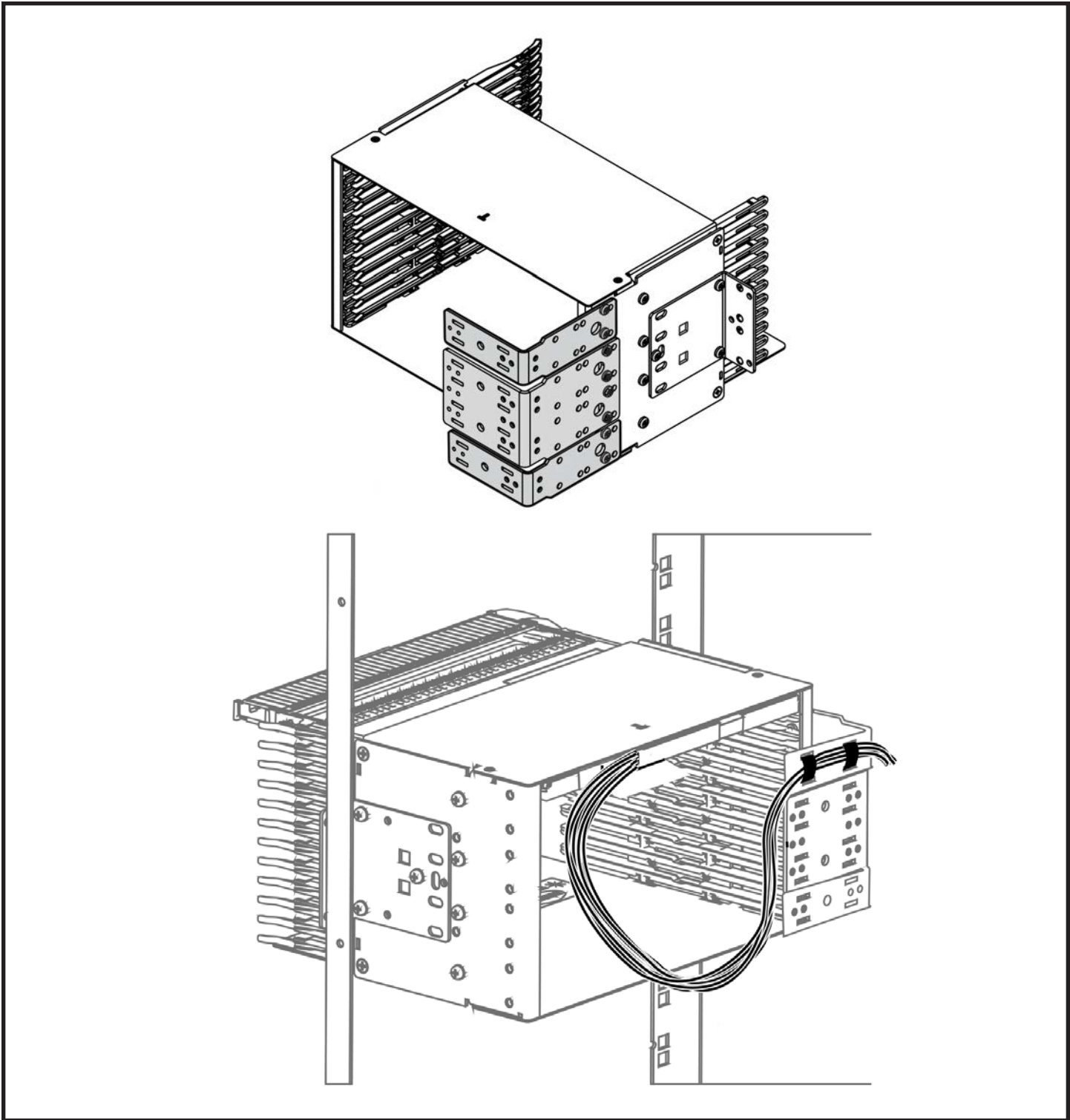
Artist Name _____

While supplies last. This offer is void where prohibited. The winner is responsible for complying with all the laws including tax laws, as well as any policies of his employer regarding gifts and prizes. Federal, state, and local governments and hospitals, including their employees and representatives, are not eligible to participate. Taxes, if any, are under the sole responsibility of the recipient of the gift.



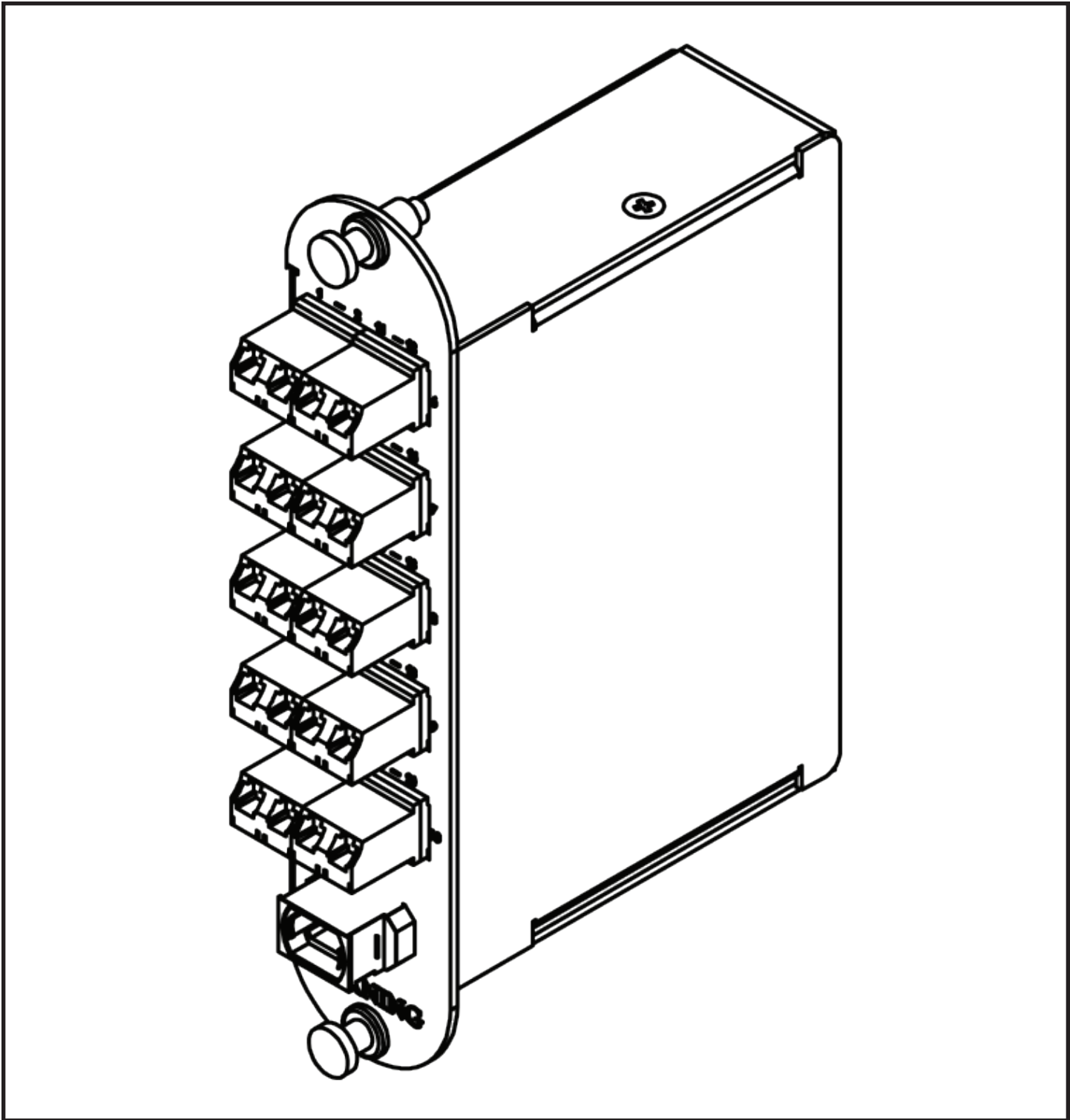
Artist Name _____

While supplies last. This offer is void where prohibited. The winner is responsible for complying with all the laws including tax laws, as well as any policies of his employer regarding gifts and prizes. Federal, state, and local governments and hospitals, including their employees and representatives, are not eligible to participate. Taxes, if any, are under the sole responsibility of the recipient of the gift.



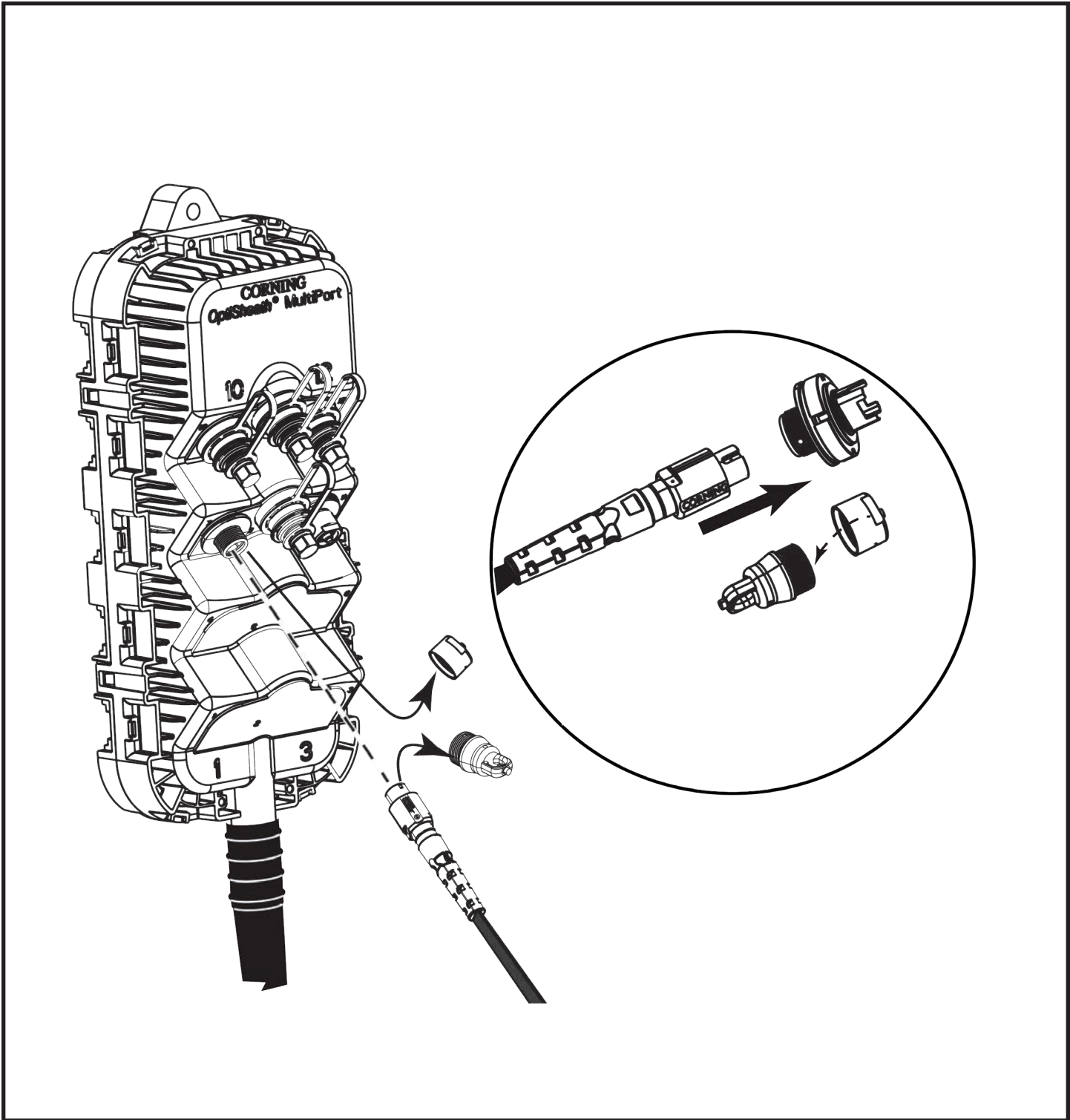
Artist Name _____

While supplies last. This offer is void where prohibited. The winner is responsible for complying with all the laws including tax laws, as well as any policies of his employer regarding gifts and prizes. Federal, state, and local governments and hospitals, including their employees and representatives, are not eligible to participate. Taxes, if any, are under the sole responsibility of the recipient of the gift.



Artist Name _____

While supplies last. This offer is void where prohibited. The winner is responsible for complying with all the laws including tax laws, as well as any policies of his employer regarding gifts and prizes. Federal, state, and local governments and hospitals, including their employees and representatives, are not eligible to participate. Taxes, if any, are under the sole responsibility of the recipient of the gift.



Artist Name _____

While supplies last. This offer is void where prohibited. The winner is responsible for complying with all the laws including tax laws, as well as any policies of his employer regarding gifts and prizes. Federal, state, and local governments and hospitals, including their employees and representatives, are not eligible to participate. Taxes, if any, are under the sole responsibility of the recipient of the gift.



CORNING

Corning Optical Communications LLC • 4200 Corning Place • Charlotte, NC 28216 USA
800-743-2675 • FAX: 828-325-5060 • International: +1-828-901-5000 • www.corning.com/opcomm

Corning Optical Communications reserves the right to improve, enhance, and modify the features and specifications of Corning Optical Communications products without prior notification. A complete listing of the trademarks of Corning Optical Communications is available at www.corning.com/opcomm/trademarks. All other trademarks are the properties of their respective owners. Corning Optical Communications is ISO 9001 certified. © 2020 Corning Optical Communications. All rights reserved. COR-0295-AEN / April 2020