

CORNING

Corning® SLiC® Fiber Aerial Terminal Closure 530 With Internal Drop Termination for Factory-Terminated External Cable Assembly Module (ECAM) FD Drop

The SLiC® Fiber Aerial Terminal Closure 530 with Internal Drop Termination is an aerial, strand-mount, breathable fiber terminal for fiber-to-the-premises (FTTP) applications. It can be used for in-line, taut-sheath, and butt-splicing configurations.

The SLiC 530 terminal closure is composed of two separate chambers: a distribution cable splice chamber and a drop termination chamber. The distribution cable splice chamber houses the fiber splices and stores buffer tube or ribbon fiber slack, while the drop termination chamber is used to house all drop terminations.

This craft separation feature allows the installer to terminate and maintain the drop without entering the splice chamber. Also, the terminal box is equipped with tabs that allow the terminal box to be locked to provide greater network security.

The SLiC 530 accommodates four, six, eight, or 12 external cable assembly module (ECAM) FD factory-terminated SC APC or SC UPC fiber drops. In the SLiC 530, the drop cable is terminated inside the terminal. This helps to reduce the potential for connector contamination and provides better drop security than externally terminated drop cables.



SLiC Fiber Aerial Terminal Closure 530 with Internal Drop Termination for factory-terminated ECAM FD drop cable

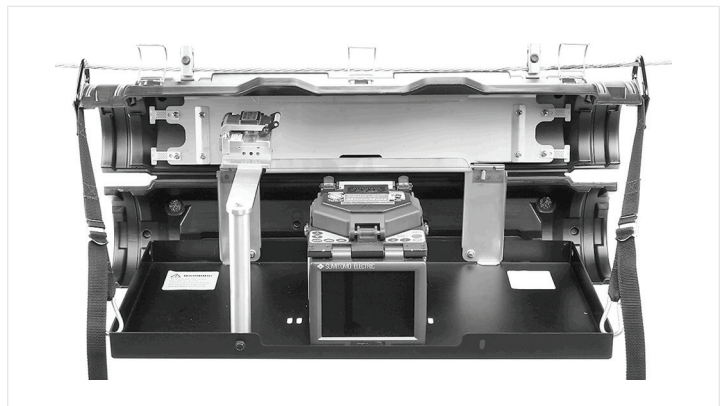
SLiC® Fiber Aerial Terminal Closure 530 with External Cable Assembly Module (ECAM) FD

Features	Benefits
One-piece construction	Easy installation and permits access to the cable splice without removing the terminal closure body
Separate splice and drop termination chambers	Allows easy and secure access for service connections and drop maintenance (cleaning and testing) without having to enter the splice chamber
Optional lightweight, easy-to-install splicing workstation	Provides a stable work surface that secures the fusion splicer and cleaver. This helps to simplify the installation and splicing process when splicing on the strand.
Factory-installed pigtailed and ribbon fan-outs	Allows for fast and easy installation of the terminal closure while reducing the potential for damage to the fibers and connectors during installation
Double-walled molded construction	Durable protection from bending and cracking in the most extreme environments
Few loose parts	Limited number of components needed to install the terminal closure thus decreasing the installation time
Multiple splicing applications	Accommodates in-line, butt, and taut-sheath applications. Allows for up to 96 single fusion or 288 mass fusion branch splicing.
Spacious fiber management area	Slack storage basket provides separate area for routing, protecting, and “expressing” buffer tubes and ribbon fibers
No special tools required	Easy installation and re-entry
Interlocking Ends	Permits the closure chamber to be extended to protect damaged sheath or accommodate larger openings for taut-sheath applications
Adaptable to both centralized and distributed splitting networks	Factory installed splitters for 1x4 and 1x8 distributed splitting applications are available

Feature	SLiC® Fiber Aerial Terminal Closure 530 Internal ECAM FD
Dimensions (L x H x W) mm (in.)	762 x 264 x 218 (30 x 10.4 x 8.6)
Cable entry ports and size	4 ports 2 ports per end 5-36 mm (0.2-1.4-in)
Taut sheath Application	Yes; 20-in sheath opening
Extendible for taut-sheath and repair splices	Yes
Splice tray included for drop terminations	Fiber Optic Splice Tray 2527
Branch splice capacity	2 Trays 96 single fusion splices 288 mass fusion splices
Number of drop ports	4, 6, 8, or 12
Drop cable entry	Bottom of the terminal box
Craft separation	Separate enclosure for splicing and separate enclosure for terminations



External Cable Assembly Module (ECAM) FD Factory-Terminated Fiber Drop



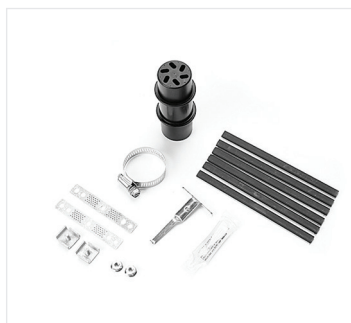
Easy-to-install and use SLiC Fiber Splicing Workstation allows the terminal closure to be spliced on the strand.

SLiC® Fiber Aerial Terminal Closure 530 with External Cable Assembly Module (ECAM) FD Ordering Information

Product Description	Part Number	Tray Type	Tray Qty	Fiber Type	Connector Type	Connector Qty
SLiC® 530 with 4 ports (SLFT-530-B-1A-04-EPXA)	80-6113-2722-4	2527	1	Pigtail	SC APC	4
SLiC 530 with 6 ports (SLFT-530-B-1A-06-EPXA)	80-6113-2723-2	2527	1	Pigtail	SC APC	6
SLiC 530 with 8 ports (SLFT-530-C-1A-08-EPXA)	80-6113-2724-0	2527	1	Pigtail	SC APC	8
SLiC 530 with 12 ports (SLFT-530-C-1A-12-EPXA)	80-6113-2725-7	2527	1	Pigtail	SC APC	12
SLiC 530 with 4 ports (SLFT-530-B-1A-04-EPXC)	80-6113-2726-5	2527	1	Ribbon Fan-Out	SC APC	4
SLiC 530 with 4 ports (SLFT-530-B-1A-04-DAXA)	80-6113-2730-7	2527	1	Pigtail	SC UPC	4
SLiC 530 with 8 ports (SLFT-530-B-1A-08-DAXA -N-A)	80-6114-8647-5	2527	1	Pigtail	SC UPC	8

SLiC® Fiber Aerial Terminal Closure 530 with ECAM FD Accessories

Product Description	Part Number
Fiber Optic Splice Tray 2527 (2527)	80-6111-7558-1
Fiber Optic Heat Shrink Splice Sleeve (2170)	80-6102-8138-0
SLiC 530/533/733 Two-Port 0.61-in Cable Entry Kit (SLFC/T-2-PORT-MSM)	80-6113-8403-5
SLiC 530/533/733 12-Port Cable Entry Kit (SLFC/T-12-PORT-FLAT)	80-6114-8254-0
SLiC 530/533/733 Six-Port Flat Drop or Cable Entry Kit (SLFC/T-6-PORT-FLAT)	80-6113-1722-5
Extended Hanger Bracket (SLiC-AC-HB2)	80-6108-4677-8
Aerial Offset Hanger Bracket, 4.0-in, set (AC-HB4)	80-6113-1470-1
Aerial Bracket for ADSS cable (SLFC-T-ADSS-MH)	80-6113-3725-6
7-in Rubber End Seal Three-Port Without Ears (SLiC-ES/7TC/E)	80-61131-653-2
SLiC closure 5-in Rubber End Seal Three-Port Without Ears (SLiC-ES/5TC/E)	80-6113-1654-0
Scotchlok™ Shield Bond Connector Assembly 4460-D/FO (4460-D/FO)	80-6108-4444-3
25T-BBE6 (1/2-in x 25 ft) Bonding Braid with Eyelets (25T-BEE6)	80-6100-9615-0
SC APC 900 µm Pigtail Kit Colors 1-4 (SCAPC-900-COL1-4)	80-6113-2056-7
SC APC 900 µm Pigtail Kit Colors 5-8 (SCAPC-900-COL5-8)	80-6113-2057-5
SC APC 900 µm Pigtail Kit Colors 9-12 (SCAPC-900-COL9-12)	80-6113-2058-3



SLiC Six-Port Grommets



Fiber Optic Splice Sleeve 2170



Offset Hanger Bracket AC-HB4



Fiber Optic Splice Tray 2527

RoHS 2011/65/EU means that the product or part does not contain any of the substances in excess of the maximum concentration values ("MCVs") in EU RoHS Directive 2011/65/EU. The MCVs are by weight in homogeneous materials. This information represents Corning's knowledge and belief, which may be based in whole or in part on information provided by third party suppliers to Corning.

The logo consists of a solid blue square with the word "CORNING" written in white, uppercase, serif font, centered within the square.

CORNING

Corning Optical Communications LLC • PO Box 489 • Hickory, NC 28603-0489 USA
800-743-2675 • FAX: 828-325-5060 • International: +1-828-901-5000 • www.corning.com/opcomm

Corning Optical Communications reserves the right to improve, enhance, and modify the features and specifications of Corning Optical Communications products without prior notification. A complete listing of the trademarks of Corning Optical Communications is available at www.corning.com/opcomm/trademarks. Scotchlok and 3M are trademarks of 3M used under license by Corning Optical Communications LLC. All other trademarks are the properties of their respective owners. Corning Optical Communications is ISO 9001 certified.
© 2019 Corning Optical Communications. All rights reserved. CRR-952-AEN / March 2019