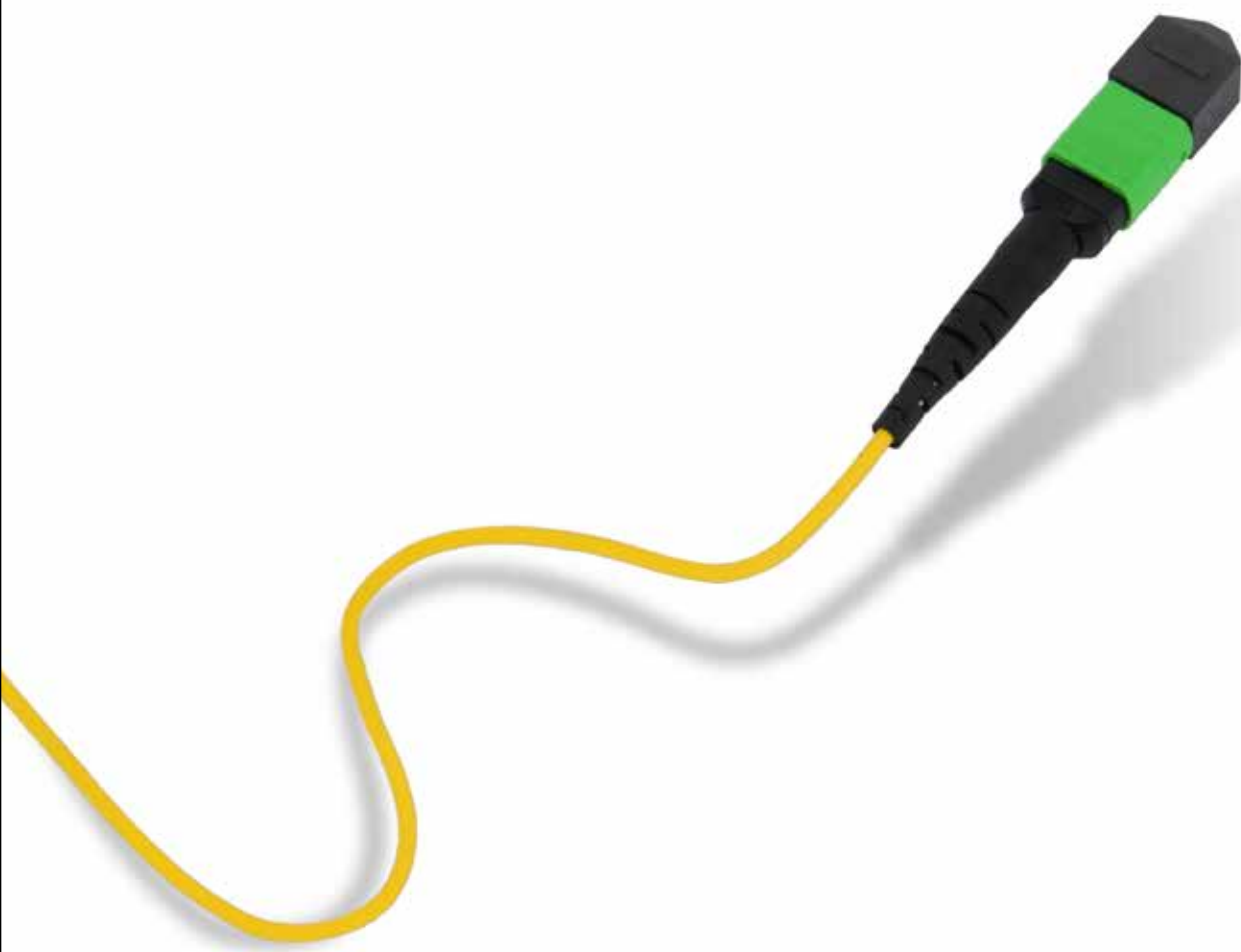




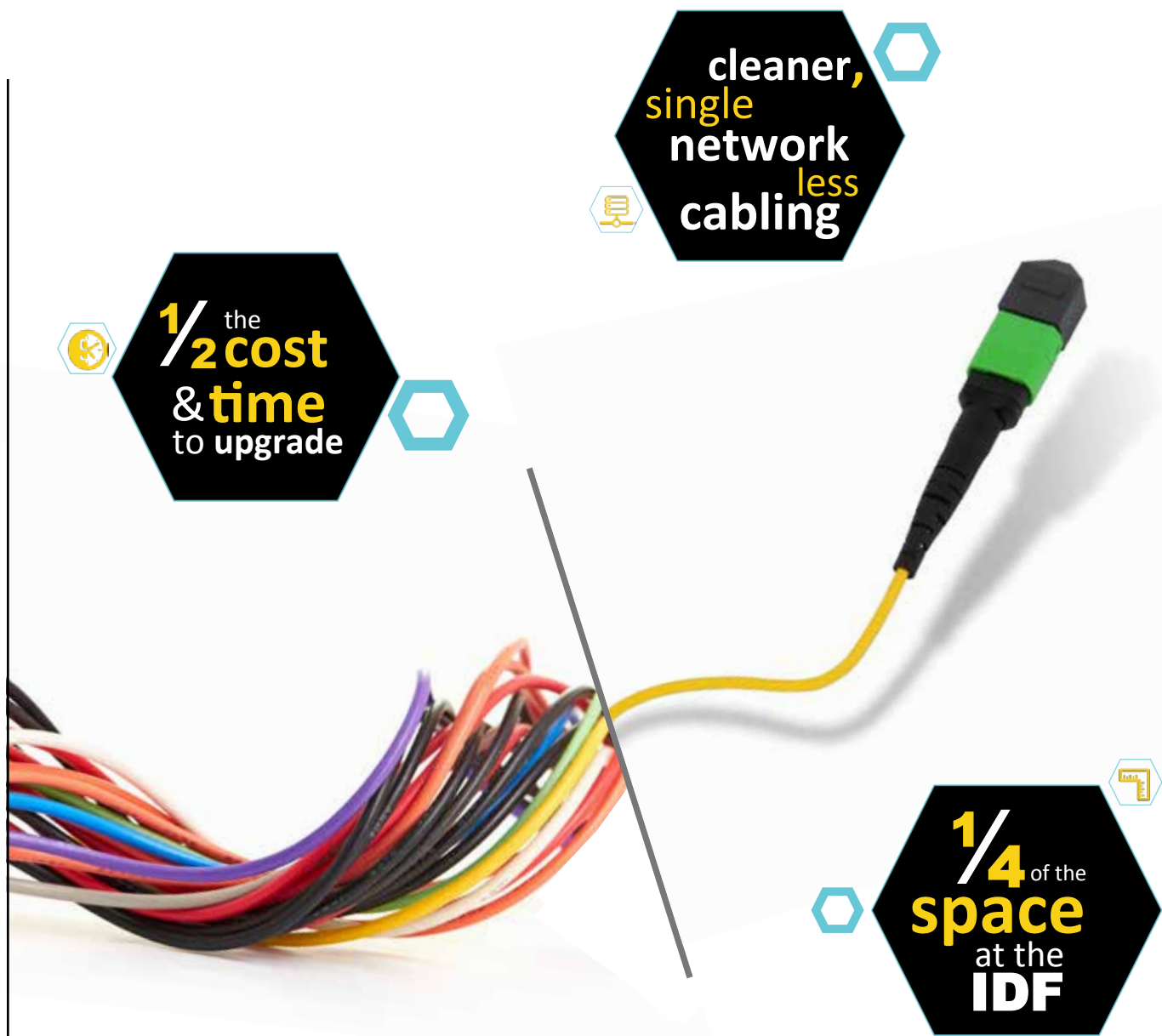
Convergence Made **Simple**



CORNING

Convergence Made Simple

The Corning ONE™ Wireless Platform is the first solution to converge the core in-building networks – Ethernet, Wi-Fi and cellular, on to a single virtually unlimited broadband fiber-based backbone. Whether its multitenant commercial building owner looking for a future-ready IT infrastructure, or a hotelier looking for a solution to support its multiple networks from back-of-house wireless communications to next-generation in-room services – the Corning ONE Wireless Platform can deliver the flexibility and scalability to address these needs.



* Average when compared to the Corning MobileAccess 2000 platform using MobileAccessHX mid-power remotes in a multicarrier, multiband use case in three different verticals.

Red Rock Casino Resort Spa (“Red Rock Resort”) Leverages the Corning ONE™ Wireless Platform and Saves

Solution

To avoid opening ceilings and impacting guest experience, the team wanted a solution that could be deployed through the hotel’s existing 1” conduit. Converging on a single fiber-optic cable meant they would eliminate the need to open ceilings altogether, which was a key consideration in choosing Corning’s ONE™ Wireless Platform. It also provides future connectivity for the ever increasing IP based hospitality system.

Results

The Red Rock Resort achieved significant space and operational savings, and now has a future-ready infrastructure, which will enable limitless, omnipresent services for guests, including dramatically improved cellular coverage in guest towers.

The success of the Red Rock Resort installation prompted Station Casinos to select the Corning ONE™ Wireless Platform for additional properties.



Business Challenges

Red Rock Resort sought an upgraded, future-ready IT infrastructure to accommodate the current and future needs of its patrons. In addition, Red Rock Resort’s management wanted to enhance cellular coverage in the guest towers to ensure that the guests’ mobile experience reflects the resort’s brand of unsurpassed luxury and convenience.

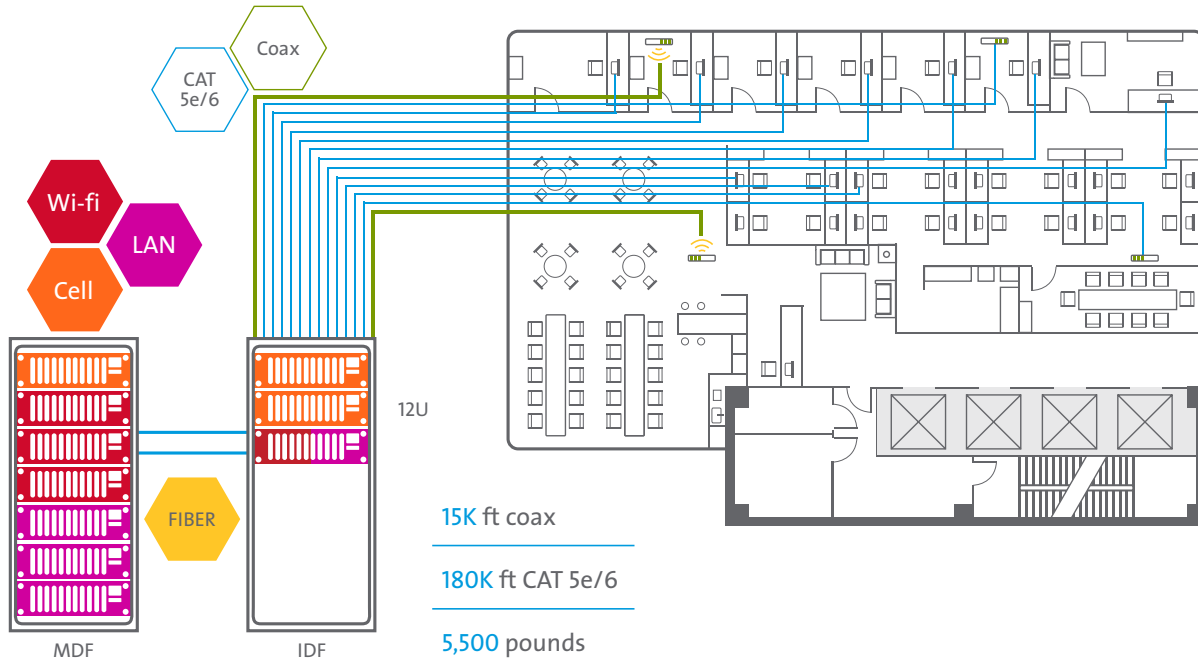


“The Corning ONE™ Wireless Platform offers virtually unlimited bandwidth on which to deliver cellular and Wi-Fi right to the access point. The converged, modular, and all-optical infrastructure will give us the capabilities we need today with the flexibility to expand in the future. Moreover, my team saw significant savings on equipment, space, and cabling. We are excited to be rolling out this new platform to Red Rock and other properties to provide our guests and staff unparalleled wireless services.”

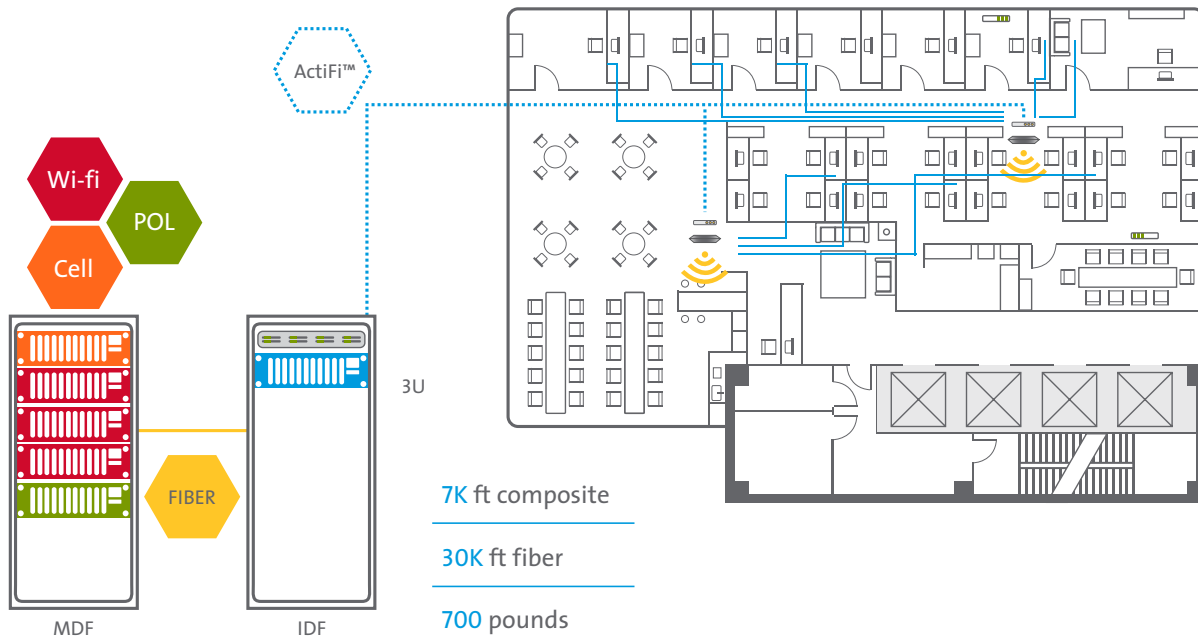
– Station Casinos CIO Abe Hong

CORNING

Typical Network Installation



Corning ONE™ Wireless Platform



Corning Optical Communications Wireless, Inc. • 13221 Woodland Park Road, Suite 400 • Herndon, Virginia 20171 USA
 866-436-9266 • FAX: 703-848-0280 • Tech Support Hotline: 410-553-2086 or 800-787-1266 • www.corning.com/opcomm

Corning Optical Communications Wireless reserves the right to improve, enhance, and modify the features and specifications of Corning Optical Communications Wireless products without prior notification. A complete listing of the trademarks of Corning Optical Communications Wireless is available at www.corning.com/opcomm/trademarks. All other trademarks are the properties of their respective owners. Corning Optical Communications Wireless is ISO 9001 certified. © 2014 Corning Optical Communications. All rights reserved. Published in the USA. CMA-364-AEN / September 2014

CORNING