

# Guide to Pipetting Challenging Liquids

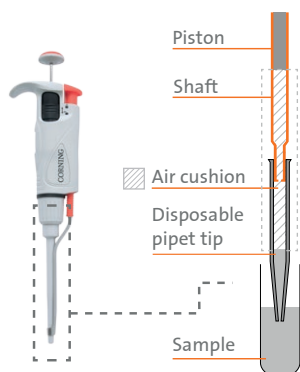
CORNING

Most commonly used pipettors (e.g., Corning® Lambda™ Plus Pipettor) work based on an air-cushion principle and are perfect for most pipetting applications. However, the precision and accuracy of the pipetting results can be affected when working with liquids of different temperatures or with a different viscosity, volatility, or density than water.

In these cases, positive-displacement pipettors (e.g., Corning Step-R™ Repeating Pipettor) can improve the pipetting process and subsequent results because there is no air-cushion and no variation of the volume aspirated in response to the physical properties of samples.

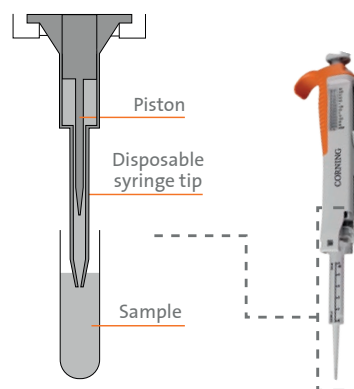
## Air-displacement System

Corning Lambda Plus Pipettor



## Positive-displacement System

Corning Step-R Repeating Pipettor



### DENSITY

**Problem:** Pipetted volume is smaller than expected

**Example:** Chloroform

**Cause:** Higher density liquids have greater mass per unit volume, and impose an increased gravitational force on the air space between the liquid and the piston. The increased air space results in a smaller volume of liquid being aspirated into the tip. The liquid's density influences the size of the air cushion.

**Solution:**

- ▶ Pipettor recalibration when air-displacement system is used
- ▶ Positive-displacement system

### HIGH VAPOR PRESSURE

**Problem:** Droplet hanging from the tip; the pipettor drips

**Examples:** Acetone, acetonitrile

**Cause:** Vapor pressure is a property that describes how fast liquid evaporates into the atmosphere until it reaches equilibrium. All liquids exist in equilibrium between their liquid and gas states. In finding this balance, a liquid will continue to evaporate until a certain concentration is present in its surrounding atmosphere. As soon as the liquid is aspirated into a pipettor tip, evaporation begins. The resulting pressure inside the pipettor begins to build and eventually forces some of the liquid back through the tip orifice. Liquids evaporate so quickly that they increase the internal pressure of the air-displacement tips, leading to leaks of the sample. Pre-wetting the tip will help the air space in the tip to reach a concentration closer to the equilibrium point.

**Solution:**

- ▶ Pre-wetting at least 5 times when an air-displacement pipettor is used
- ▶ Positive-displacement system

### VISCOSITY

**Problem:** Inaccurate dispenses; reduced liquid volume

**Example:** Glycerol, Corning Matrigel® Matrix

**Cause:** If pipetting is too fast during aspiration, air bubbles are often formed within the aspirated liquid. Viscous liquids tend to stick to the surface of the tip, and some portion of the pipetted liquid may remain in the pipet tip. The larger the air cushion (e.g., 100  $\mu$ L dispensed using a 1000  $\mu$ L tip), the greater the error. The greater the dispenser tip, the lower the dispensable viscosity.

**Solution:**

- ▶ Reverse pipetting when an air-displacement pipettor is used
- ▶ Pipetting slowly when an air-displacement pipettor is used
- ▶ Using wide bore orifice tips
- ▶ Positive-displacement system

### TEMPERATURE

**Problem:** Pipetted volume is smaller or larger than expected

**Examples:** Reagents and buffers at 37°C; nucleic acid-based reagents at 4°C or lower

**Cause:** When a tip is inserted into a warm liquid, the air in the tip is at ambient temperature. During aspiration, the tip heats up which causes the air to expand and push liquid out of the tip. This results in less liquid being delivered than expected. With cold liquids, it has the opposite effect.

**Solution:**

- ▶ Pre-wetting at least 5 times when an air-displacement pipettor is used.
- ▶ Use pipettors at, or close to, the nominal volume settings (this results in better accuracy compared to using the pipettors at, or close to, the minimum specified volume setting)

For additional product or technical information, visit [www.corning.com/lifesciences](http://www.corning.com/lifesciences) or call 800.492.1110. Outside the United States, call +1.978.442.2200 or contact your local Corning sales office.

For a listing of trademarks, visit [www.corning.com/clstrademarks](http://www.corning.com/clstrademarks). All other trademarks are the property of their respective owners.