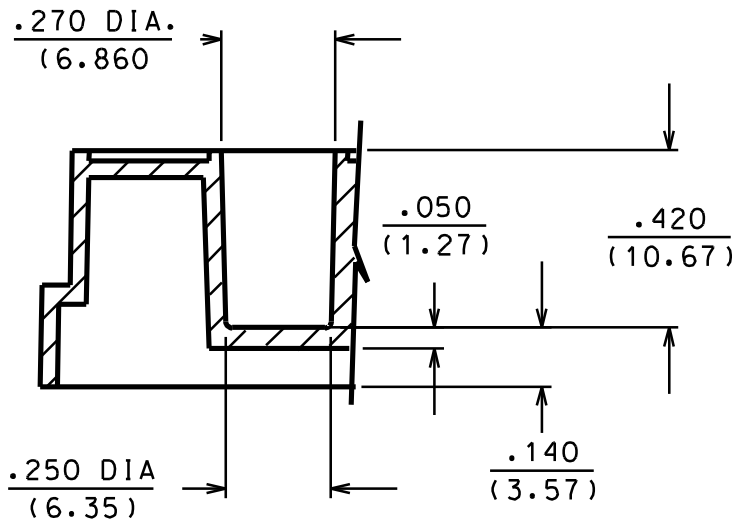


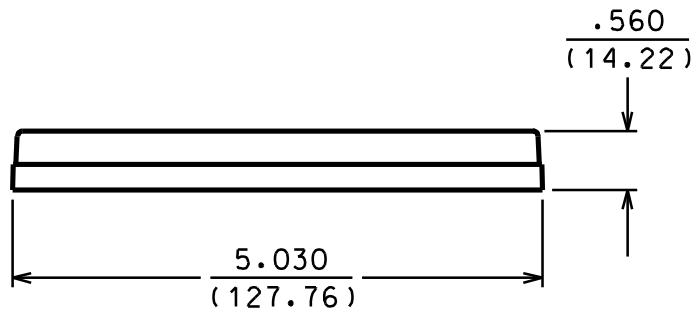
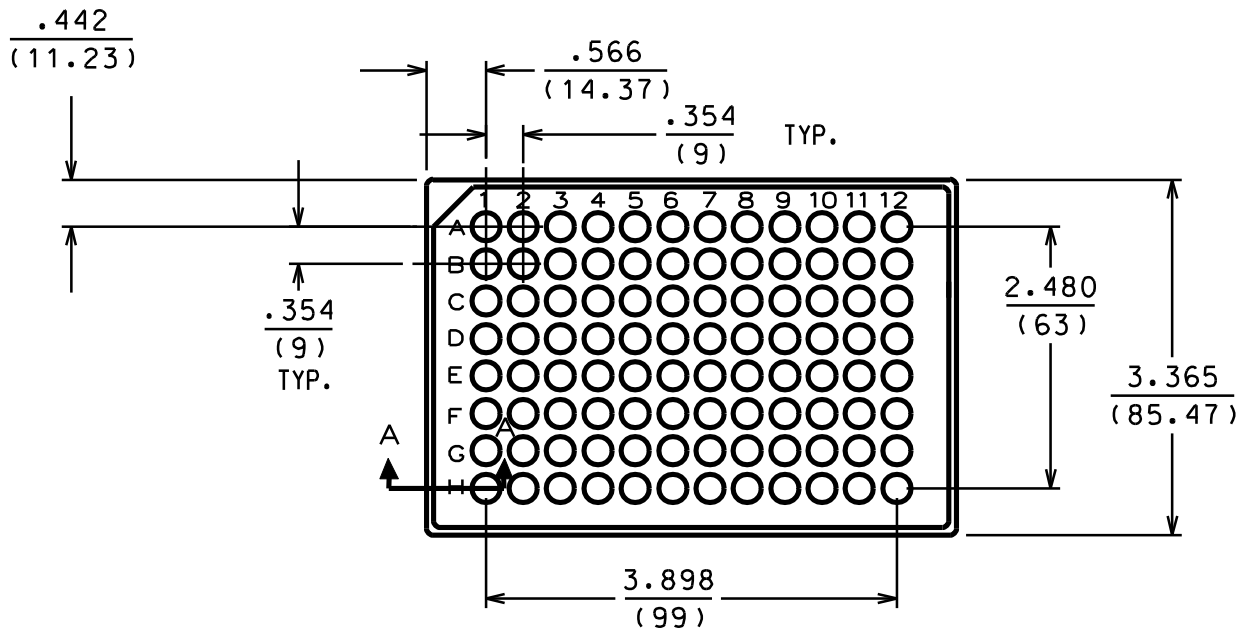
REVISIONS

| REV | DR | DESCRIPTION | DATE | APPROVED |
|-----|-----|----------------------|----------|----------|
| A | MB | RELEASE PER CD#06067 | 01/14/98 | DM |
| B | DAK | REVISE PER CC-08532 | 8/22/18 | MV |



NOTE:

1. Dimensions in parentheses are in millimeters.
2. Refer to product description for additional product information.



COSTAR® is a registered trademark of Corning Incorporated

CORNING
LIFE SCIENCES
836 North Street
Tewksbury, MA 01876

Tolerances: Unless otherwise specified dimensions are nominal for reference only

Drawn LEP Date 10/09/97
Chkd XXX 10/09/97
Matl SEE PROD DESCRIPTION
Customer Spec. Sht. 1 of 1

COSTAR®
96 WELL FLAT BOTTOM
CORNER NOTCH
DWG00800 Rev B