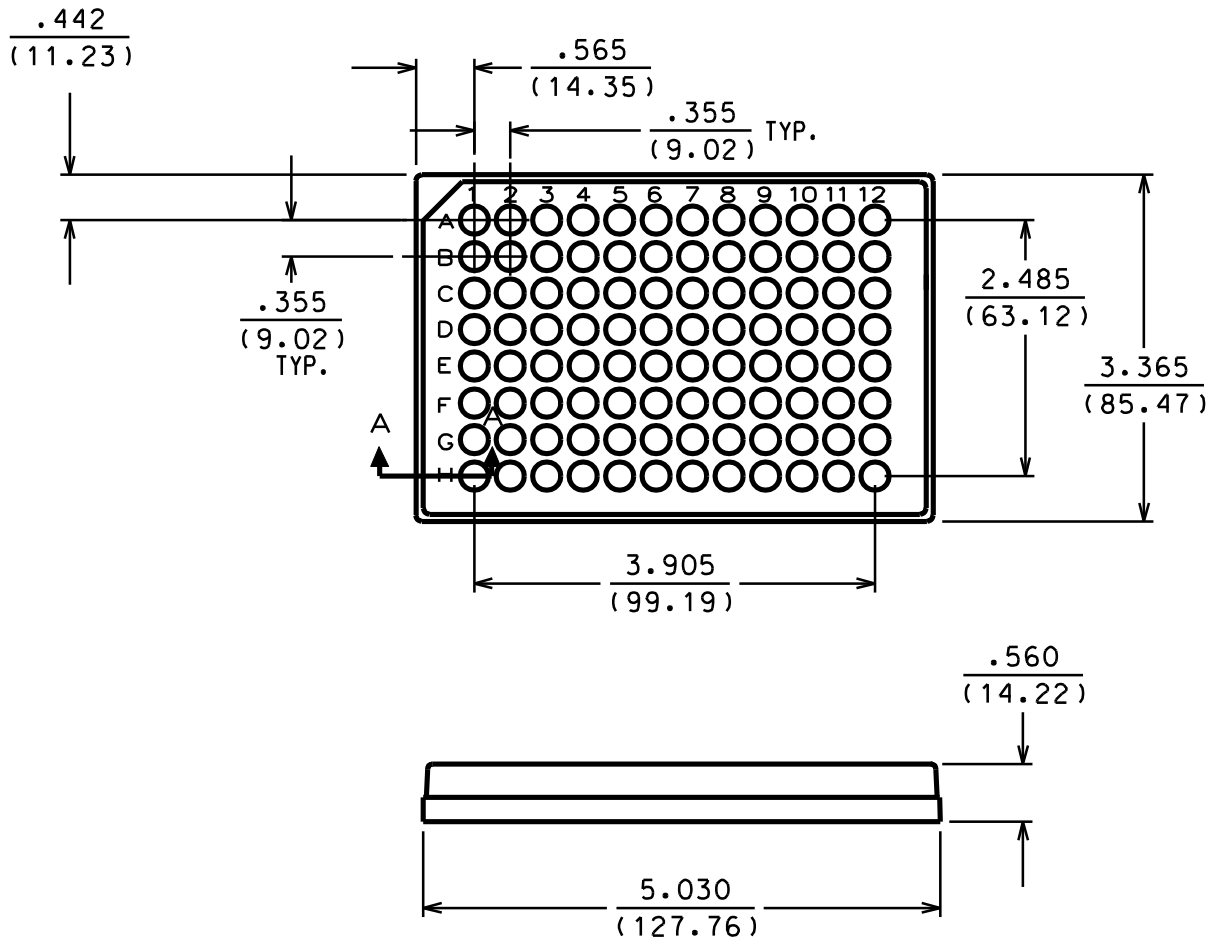


SECTION A-A
TYP 96 PLACES

REVISIONS				
REV	DR	DESCRIPTION	DATE	APPROVED
A	MB	RELEASE PER CO#05264	05/02/97	LEP
B	MB	RELEASE PER CO# 05780 WAS 144-3601	10-15-97	LEP
C	MB	REVISE PER CO#06615	07-23-98	DM
D	DAK	REVISE PER CC-08532	6/22/18	MV

NOTE:

1. Dimensions in parentheses are in millimeters.
2. Refer to product description for additional product information.



COSTAR® is a registered trademark of Corning Incorporated

PROD CODE:144

CORNING
LIFE SCIENCES
836 North Street
Tewksbury, MA 01876

Tolerances: Unless otherwise specified dimensions are nominal for reference only

Drawn MB Date 04/10/97
Chkd LEP 04/10/97
Matl SEE PROD DESCRIPTION
Customer Spec. Sht. 1 of 1

COSTAR®
96 WELL HOLEY
PLATE
DWG00121 Rev D